

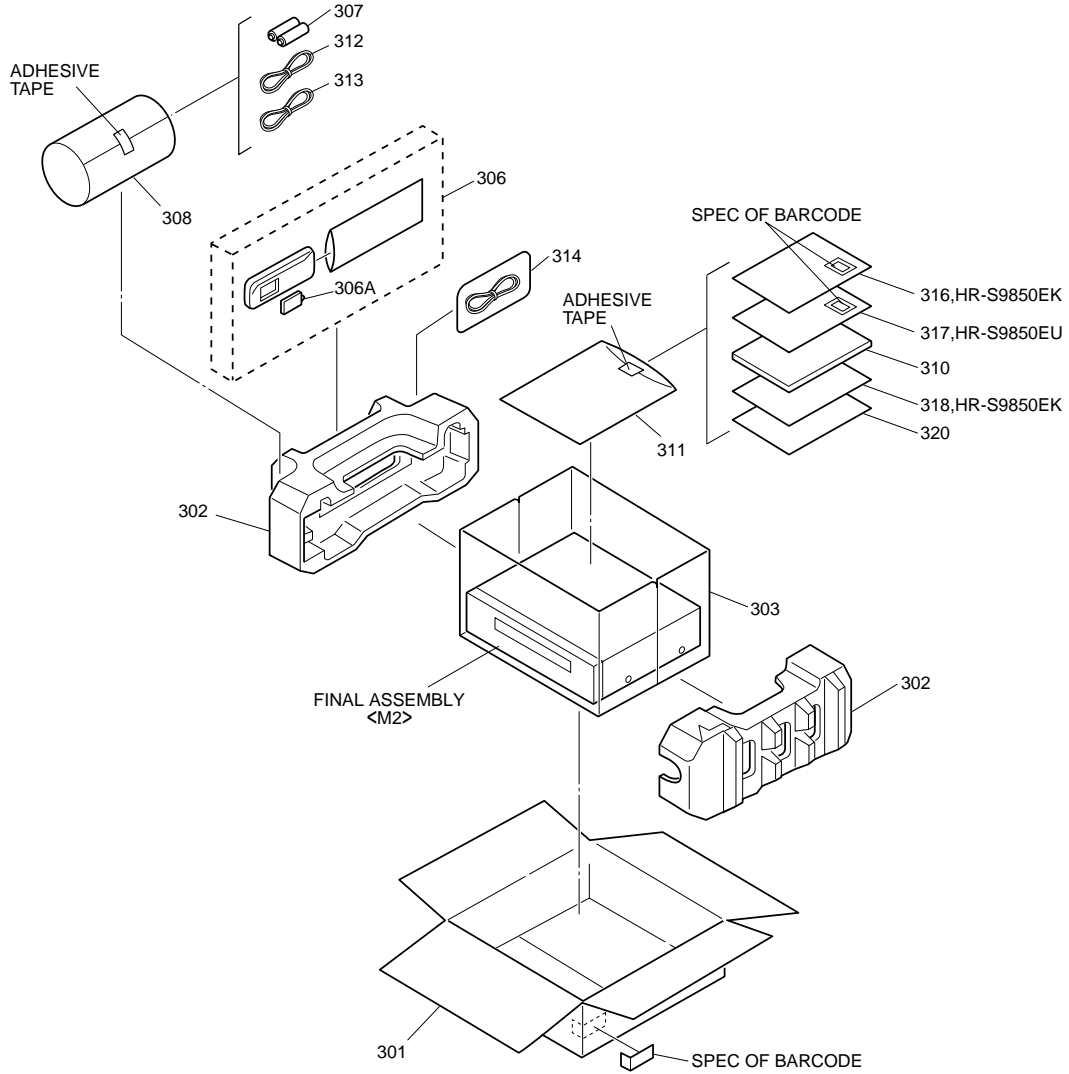
SECTION 5 PARTS LIST

SAFETY PRECAUTION

Parts identified by the \triangle symbol are critical for safety. Replace only with specified part numbers.

5.1 PACKING AND ACCESSORY ASSEMBLY <M1>

The instruction manual to be provided with this product will differ according to the destination.



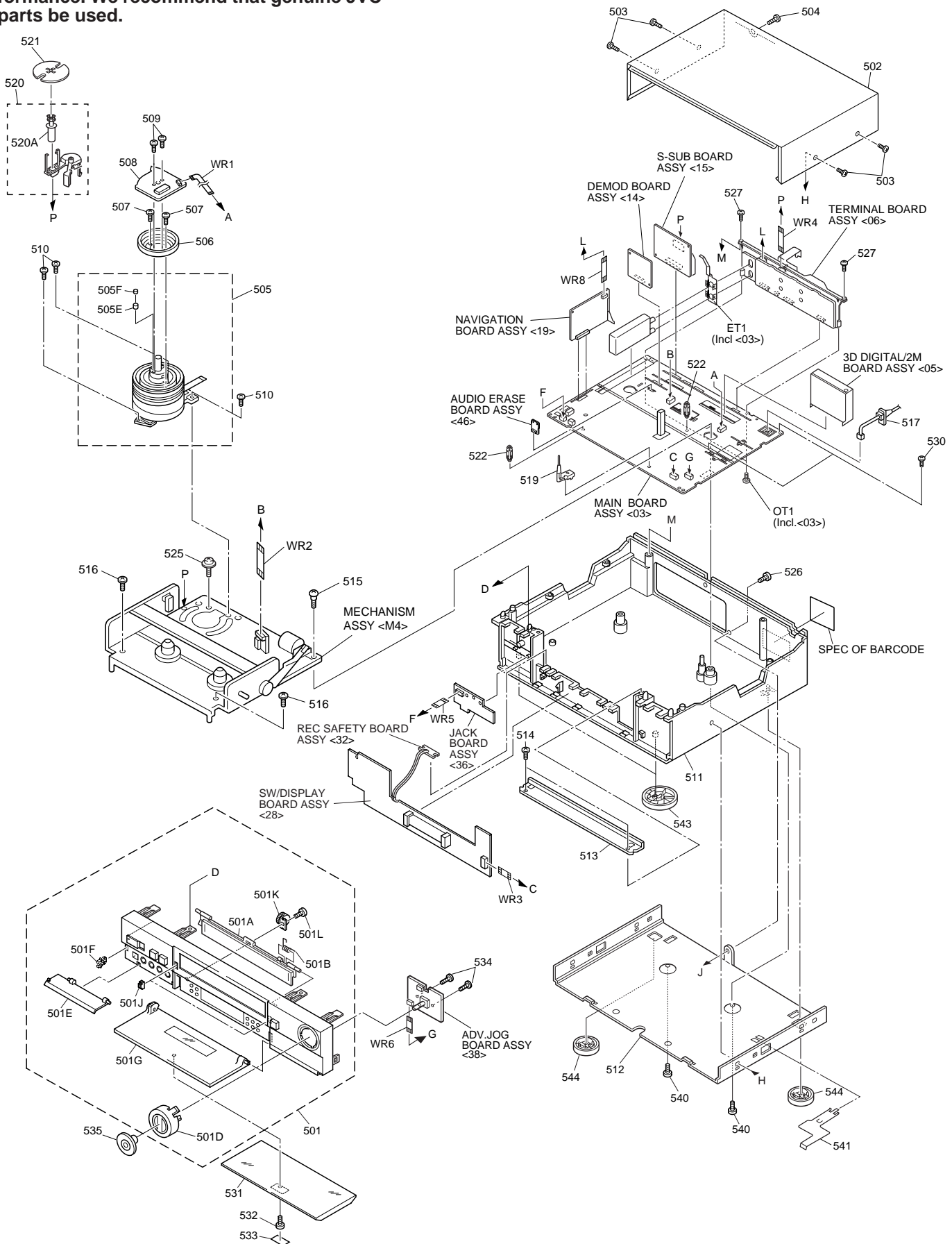
# \triangle	REF No.	PART No.	PART NAME, DESCRIPTION	# \triangle	REF No.	PART No.	PART NAME, DESCRIPTION

PACKING AND ACCESSORY ASSEMBLY <M1>							
		301	LP31003-002A	PACKING CASE			
		302	LP31008-001A	CUSHION ASSY			
		303	PQM30021-95	POLY BAG			
		306	LP20667-008B	REMOTE CONTROLLER			
		306A	LP40225-004A	COVER(BATTERY)			
		307	-	BATTERY,X2,("R6"TYPE)			
		308	QPC02202230P	POLY BAG			
\triangle	310	LPT0480-001A	LPT0480-001A	INST.BOOK(EN),S9850EK			
\triangle		LPT0488-001A	LPT0488-001A	INST.BOOK(EN),S9850EU			
\triangle		LPT0488-002A	LPT0488-002A	INST.BOOK(GE),S9850EU			
\triangle		LPT0488-003A	LPT0488-003A	INST.BOOK(FR),S9850EU			
\triangle		LPT0488-004A	LPT0488-004A	INST.BOOK(DU),S9850EU			
\triangle		LPT0488-005A	LPT0488-005A	INST.BOOK(SP),S9850EU			
\triangle		LPT0488-006A	LPT0488-006A	INST.BOOK(IT),S9850EU			
		311	QPC02503530P	POLY BAG			
		312	PEAC0300-02	RF CABLE			
		313	QAM0004-002	S CABLE			
		314	QAL0095-005	LED CABLE ASSY			
		316	BT-54008-2	GUARANTY CARD,S9850EK			
		317	BT-54013-2	WARRANTY CARD,S9850EU			
		318	LYT0194-001B	Q.CARD(JUK),S9850EK			
		320	LP40605-001A	SHEET			

5.2 FINAL ASSEMBLY <M2>

BEWARE OF BOGUS PARTS

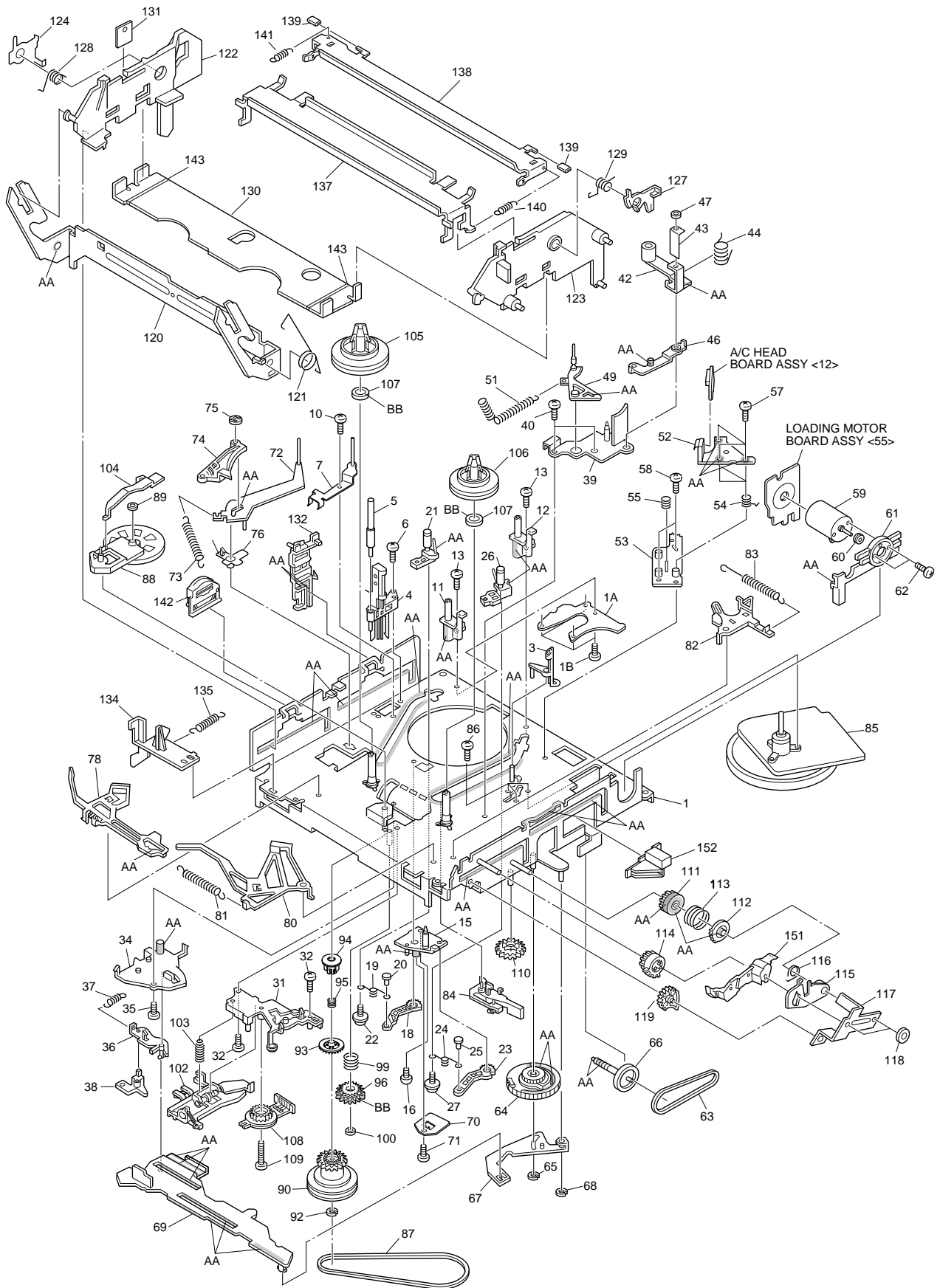
Parts that do not meet specifications may cause trouble in regard to safety and performance. We recommend that genuine JVC parts be used.



#	△ REF No.	PART No.	PART NAME, DESCRIPTION	#	△ REF No.	PART No.	PART NAME, DESCRIPTION

FINAL ASSEMBLY <M2>							
△	501	LP10353-004C	FRONT PANEL ASSY,S9850EU				
△		LP10353-005C	FRONT PANEL ASSY,S9850EK				
	501A	LP20968-009A	CASSETTE DOOR				
	501B	PQ46448	TORSION SPRING				
	501D	LP31002-001A	ORNAMENT				
	501E	LP20970-004A	DOOR(JACK)				
	501F	PU60109	CATCHER				
	501G	LP20969-001A	DOOR				
	501J	QZW0063-001	MAGNET LATCH,X2				
	501K	QZW0055-003	DAMPER				
	501L	QYTDSF3010Z	SCREW,DAMPER				
△	502	PQ11922-54-14	TOP COVER				
	503	QYTDSF3010R	SCREW,X4, TOP COVER(SIDE)				
	504	QYTDSF3010M	SCREW, TOP COVER(REAR)				
	505	LP20981-013A	DRUM SUB ASSY				
	505E	LP40323-001A	CONTACT				
	505F	LP30004-014A	COMPRESSION SPRING				
	506	PDZ0179-1-4	ROTOR ASSY				
	507	QYSPSP3006Z	SCREW,X2, ROTOR				
△	508	QAR0169-002	STATOR ASSY				
	509	QYSPSPH2606Z	SCREW,X2, STATOR				
	510	QYTDST2610Z	SCREW,X3 DRUM				
△	511	LP10140-003G	BOTTOM CHASSIS				
△	512	PQ11921-1-4	BOTTOM COVER				
	513	LP30312-001B	BRACKET(CHASSIS)				
	514	QYTDSF3010Z	SCREW,X2 BRACKET(CHASSIS)				
	515	LP40700-001A	SPECIAL SCREW,MECHA				
	516	QYTDSF3010Z	SCREW,X2 MECHA				
△	517	QMP4A10-170	POWER CORD,S9850EU				
△		QMP51K0-170-K	POWER CORD,S9850EK				
	519	LP40407-001A	KNOB ASSY				
	520	LP40370-001E	ROLLER ARM ASSY				
	520A	PDM4311A-1	ROLLER ASSY				
	521	PQ45160	INERTIA PLATE				
	522	LP40226-001A	PC SUPPORT,X2				
	525	PQ40413	SPECIAL SCREW,MECHA				
	526	QYTDSF3010M	SCREW,TERMINAL(REAR)				
	527	QYTSPFG3010Z	SCREW,X2 TERMINAL(TOP)				
	530	QYTDSF3010Z	SCREW,X2 MAIN				
	531	LP30806-002A	WINDOW(DOOR)				
	532	QYSLSF2040D	SCREW,WINDOW(DOOR)				
	533	LP40635-002A	S-VHS ET MARK				
	534	QYTDSF2608Z	SCREW,X2,ADV.JOG				
	535	LP31019-005C	KNOB ASSY				
	540	QYTDSF3010Z	SCREW,X2 BOTTOM COVER				
	541	LP40659-001B	EARTH PLATE(2),BOTTOM COVER				
	543	PQ46617C	FOOT ASSY,X2				
	544	PQ35504	FOOT(2),X2				
	WR1	QUQ112-0720CG	FFC WIRE,AC HEAD				
	WR2	QUQ212-0518CG	FFC WIRE,DRUM				
	WR3	QUQ112-1414CG	FFC WIRE,DISPLAY				
	WR4	QUQ112-1407CG	FFC WIRE,TERMINAL				
	WR5	QUQ112-1115CG	FFC WIRE,JACK				
	WR6	QUQ212-0416CG	FFC WIRE,ADV.JOG				
	WR8	QUQ112-0826CG	FFC WIRE,NAVIGATION				

5.3 MECHANISM ASSEMBLY <M4>



Classification	Part No.	Symbol in drawing
Grease	KYODO-SH-P	AA
Oil	COSMO-HV56	BB

NOTE:The section marked in **AA** and **BB** indicate lubrication and greasing areas.

#	△	REF No.	PART No.	PART NAME, DESCRIPTION	#	△	REF No.	PART No.	PART NAME, DESCRIPTION

MECHANISM ASSEMBLY <M4>									
1			LP20821-002F	MAIN DECK ASSY	74			LP40109-003D	TENSION BRAKE ASSY
1A			LP40275-004B	PLATE(SUPPLY)	75			PQ46302-1-3	ADJUST PIN
1B			QYTDST2605Z	SCREW,X4	76			LP30232-002A	TENSION ARM BEARING
3			LP30492-002B	GIDE POLE GUARD	78			LP40532-009B	MAIN BRAKE ASSY (SUPPLY)
4			NAH0001-001	FULL ERASE HEAD	80			LP40111-014C	MAIN BRAKE ASSY (TAKE UP)
5			LP40098-001B	GUIDE POLE(SUPPLY)	81			LP30003-029A	TENSION SPRING
6			QYTDST2608Z	SCREW	82			LP40112-001F	SUB BRAKE ASSY(TAKE UP)
7			LP40637-002A	TENSION STUD BASE ASSY	83			LP40357-001B	TENSION SPRING
10			QYTDST2606Z	SCREW	84			LP40461-001A	CAPSTAN BRAKE ASSY
11			LP30409-002C	UV CATCHER 2(SUPPLY)	85			QAR0132-001	CAPSTAN MOTOR
12			LP30409-002C	UV CATCHER 2(TAKE UP)	86			QYTDSF2606M	SCREW,X3
13			QYTPST2606Z	SCREW,X2	87			LP30005-008A	BELT,CAPSTAN MOTOR
14			PQ40919-10	SPACER	88			LP40114-011B	IDLER ARM ASSY
15			LP30223-003C	LOADING ARM GEAR SHAFT	89			LP30016-001A	SLIT WASHER
16			QYTDST2606Z	SCREW	90			LP40593-003B	CLUTCH UNIT 3
18			LP30224-001B	LOADING ARM GEAR(SUPPLY)	91			LP30002-097A	SPACER,CAPSTAN MOTOR
19			LP40099-001A	TORSION ARM	92			PQM30017-47	SLIT WASHER
20			LP40100-001A	PIN	93			LP30696-002A	CLUTCH GEAR 4
21			LP40101-006A	POLE BASE ASSY(SUPPLY)	94			LP30697-003A	COUPLING GEAR
22			QYSPSTG2606Z	SCREW	95			LP40554-002A	COMPRESSION SPRING
23			LP40103-002B	LOADING ARM GEAR(TAKE UP)	96			LP40442-001A	DIRECT GEAR
24			LP40099-001A	TORSION ARM	97			LP30017-019A	SPACER
25			LP40100-001A	PIN	99			LP40483-002A	COMPRESSION SPRING
26			LP40104-006A	POLE BASE ASSY(TAKE UP)	100			LP30016-001A	SLIT WASHER
27			QYSPSTG2606Z	SCREW	102			LP40484-003B	CHANGE LEVER ASSY
31			LP20233-004B	ROTARY ENCODER GUIDE	103			LP40512-002B	COMPRESSION SPRING
32			QYTPST2606Z	SCREW	104			LP30236-002C	IDLER LEVER
34			LP30226-004E	CONTROL PLATE GUIDE	105			LP20237-003B	REEL DISK ASSY(SUPPLY)
35			QYTPST2605Z	SCREW	106			LP20238-003B	REEL DISK ASSY(TAKE UP)
36			LP30249-003B	TAKE UP LEVER	107			LP30017-015A	SPACER,X2
37			LP30003-006A	TENSION SPRING	108			QSW0554-003	ROTARY ENCODER
38			LP40119-002A	T.UP HEAD	109			LP40746-001A	SPECIAL SCREW
39			LP20234-004B	LID GUIDE	110			LP30237-002B	CASSETTE GEAR
40			QYTDST2606Z	SCREW,X2	111			LP30239-002G	LIMIT GEAR(1)
42			LP40105-003A	PINCH ROLLER ARM ASSY	112			LP30240-002G	LIMIT GEAR(2)
43			LP40753-001A	PINCH ROLLER SHEET 3	113			LP40136-001E	TORSION SPRING
44			LP40148-002A	TORSION SPRING	114			LP30242-002A	RELAY GEAR
46			LP40149-001C	PRESS LEVER ASSY	115			LP30339-002E	OPENER GUIDE
49			LP40106-007A	GUIDE ARM ASSY	116			LP40545-001A	TORSION SPRING
51			LP40134-001C	TENSION SPRING	117			LP40214-001B	C.H.BRACKET
52			QAH0010-005	AC HEAD	118			PQM30017-47	SLIT WASHER,X2
53			LP30228-001C	HEAD BASE	119			LP30243-002A	DRIVE GEAR
54			LP30004-013A	COMPRESSION SPRING,X3	120			LP20240-001G	DRIVE ARM
55			LP40236-001A	COMPRESSION SPRING	121			LP40137-001A	TORSION SPRING
57			LP40213-002B	SPECIAL SCREW,X3	122			LP10081-002P	SIDE HOLDER(L)
58			QYTDST2608Z	SCREW,X2	123			LP10082-002U	SIDE HOLDER(R)
59			QAR0023-001	LOADING MOTOR	124			LP30255-006B	LOCK LEVER(L)
60			PQ43546-1-2	MOTOR PULLEY	127			LP30256-001H	LOCK LEVER(R)
61			LP30230-003D	MOTOR GUIDE	128			LP40168-003A	TORSION SPRING(L)
62			QYTPSP3003Z	SCREW,X2	129			LP40218-001B	TORSION SPRING(R)
63			LP30005-003A	BELT,LOADING MOTOR	130			LP30257-001G	CASSETTE HOLDER
64			LP20791-002D	CONTROL CAM	131			LP40852-001A	EARTH PLATE
65			PQM30017-24	SLIT WASHER	132			LP30244-002G	GUIDE RAIL
66			LP40120-001A	WORM GEAR	134			LP30245-002F	REC SAFETY LEVER
67			LP40107-002A	LINK LEVER ASSY	135			LP30003-004A	TENSION SPRING
68			PQM30017-24	SLIT WASHER	137			LP20578-001C	TOP GUIDE
69			LP10284-002E	CONTROL PLATE	138			LP30500-001C	HOLD PLATE
70			LP40379-001B	CONTROL BRACKET(1)	139			LP40450-003A	PAD,X2
71			QYTDSF2608M	SCREW	140			LP30003-025B	TENSION SPRING
72			LP40108-002A	TENSION ARM ASSY	141			LP30003-024A	TENSION SPRING
73			LP30003-010A	TENSION SPRING	142			LP40481-003A	ROLLER CAM ASSY
					143			LP30019-014A	PAD,X2
					151			LP20324-003C	DOOR OPENER
					152			LP30493-001B	START SENSOR CAP

5.4 ELECTRICAL PARTS LIST

#	△ REF No.	PART No.	PART NAME, DESCRIPTION

MAIN BOARD ASSEMBLY <03>			
PW1		LPA10147-02B1	MAIN BOARD ASSY
IC1		JCP8050-MSA	IC
IC3001		HD6432194SBD16F	IC
		or HD64F2194CFD16	IC
IC3002		S-80727AN-DQ-X	IC
		or R3111H271A	IC
		or S-80827ANUP-W	IC
IC3003		AT24C16N-10SC-X	IC
		or X24C16S	IC
		or 24LC16B/SN-X	IC
		or BR24C16F	IC
IC3004		BA6956AN	IC
IC3601		BU2090FS	IC
IC3651		BU2090FS	IC
IC5101		STR-G6551	IC
IC5301		LA5644	IC
Q5		2SB1218A/QR/-X	TRANSISTOR
		or 2SA1576A/QR/-X	TRANSISTOR
		or 2PA1576R/R/-X	TRANSISTOR
Q7		2SD1819A/QRS/-X	TRANSISTOR
		or 2SC4081/QRS/-X	TRANSISTOR
		or 2PC4081/R/-X	TRANSISTOR
Q8		2SD1819A/QRS/-X	TRANSISTOR
		or 2SC4081/QRS/-X	TRANSISTOR
		or 2PC4081/R/-X	TRANSISTOR
Q9		2SB1218A/QR/-X	TRANSISTOR
		or 2PA1576R/R/-X	TRANSISTOR
		or 2SA1576A/QR/-X	TRANSISTOR
Q10		2SA1576A/QR/-X	TRANSISTOR
Q17		DTC144WU	TRANSISTOR
		or PDTC144WU	TRANSISTOR
		or RN1309	TRANSISTOR
		or UN521E	TRANSISTOR
Q21		2SB1218A/QR/-X	TRANSISTOR
		or 2PA1576R/R/-X	TRANSISTOR
		or 2SA1576A/QR/-X	TRANSISTOR
Q24		2SB1218A/QR/-X	TRANSISTOR
		or 2SA1576A/QR/-X	TRANSISTOR
		or 2PA1576R/R/-X	TRANSISTOR
Q25		DTC144WU	TRANSISTOR
		or PDTC144WU	TRANSISTOR
		or RN1309	TRANSISTOR
		or UN521E	TRANSISTOR
Q38		2SD1819A/QRS/-X	TRANSISTOR
		or 2PC4081/R/-X	TRANSISTOR
		or 2SC4081/QRS/-X	TRANSISTOR
Q41		DTC144WU	TRANSISTOR
		or PDTC144WU	TRANSISTOR
		or RN1309	TRANSISTOR
		or UN521E	TRANSISTOR
Q401		2SA1576A/QR/-X	TRANSISTOR
Q402		2SA1576A/QR/-X	TRANSISTOR
Q403		DTC144WU	TRANSISTOR
		or PDTC144WU	TRANSISTOR
		or RN1309	TRANSISTOR
		or UN521E	TRANSISTOR
Q404		DTC144WU	TRANSISTOR

#	△ REF No.	PART No.	PART NAME, DESCRIPTION
		or PDTC144WU	TRANSISTOR
		or RN1309	TRANSISTOR
		or UN521E	TRANSISTOR
Q405		2SA1576A/QR/-X	TRANSISTOR
Q2001		2SC4081/QRS/-X	TRANSISTOR
		or 2SD1819A/QRS/-X	TRANSISTOR
		or 2PC4081/R/-X	TRANSISTOR
Q2002		2SC4081/QRS/-X	TRANSISTOR
		or 2PC4081/R/-X	TRANSISTOR
		or 2SD1819A/QRS/-X	TRANSISTOR
Q2003		DTA144WU	TRANSISTOR
		or PDTA144WU	TRANSISTOR
		or RN2309	TRANSISTOR
		or UN511E	TRANSISTOR
Q2004		DTC144WU	TRANSISTOR
		or PDTC144WU	TRANSISTOR
		or RN1309	TRANSISTOR
		or UN521E	TRANSISTOR
Q2011		DTC144WU	TRANSISTOR
		or PDTC144WU	TRANSISTOR
		or RN1309	TRANSISTOR
		or UN521E	TRANSISTOR
Q2052		2SA1576A/QR/-X	TRANSISTOR
		or 2SB1218A/QR/-X	TRANSISTOR
		or 2PA1576R/R/-X	TRANSISTOR
Q2053		DTC144WU	TRANSISTOR
		or PDTC144WU	TRANSISTOR
		or RN1309	TRANSISTOR
		or UN521E	TRANSISTOR
Q2054		2SA1576A/QR/-X	TRANSISTOR
		or 2PA1576R/R/-X	TRANSISTOR
		or 2SB1218A/QR/-X	TRANSISTOR
Q2061		2SC4081/QRS/-X	TRANSISTOR
		or 2SD1819A/QRS/-X	TRANSISTOR
		or 2PC4081/R/-X	TRANSISTOR
Q2062		2SA1576A/QR/-X	TRANSISTOR
		or 2PA1576R/R/-X	TRANSISTOR
		or 2SB1218A/QR/-X	TRANSISTOR
Q2251		DTA144WU	TRANSISTOR
		or PDTA144WU	TRANSISTOR
		or RN2309	TRANSISTOR
		or UN511E	TRANSISTOR
Q2252		DTC114EU	TRANSISTOR
		or PDTC114EU	TRANSISTOR
		or RN1302	TRANSISTOR
		or UN5211	TRANSISTOR
Q3001		2SD1819A/QRS/-X	TRANSISTOR
		or 2SC4081/QRS/-X	TRANSISTOR
		or 2PC4081/R/-X	TRANSISTOR
Q3002		PTZ-NV16	PHOTO TRANSISTOR
		or PTZ-NV16A	PHOTO TRANSISTOR
Q3003		PTZ-NV16	PHOTO TRANSISTOR
		or PTZ-NV16A	PHOTO TRANSISTOR
Q3004		2SD1819A/QRS/-X	TRANSISTOR
		or 2PC4081/R/-X	TRANSISTOR
		or 2SC4081/QRS/-X	TRANSISTOR
Q3005		2SD1819A/QRS/-X	TRANSISTOR
		or 2SC4081/QRS/-X	TRANSISTOR
		or 2PC4081/R/-X	TRANSISTOR
Q3007		UN521E	TRANSISTOR
		or RN1309	TRANSISTOR

#	△	REF No.	PART No.	PART NAME, DESCRIPTION	#	△	REF No.	PART No.	PART NAME, DESCRIPTION
			or DTC144WU	TRANSISTOR	D6			MTZJ5.1C	ZENER DIODE
			or PDTC144WU	TRANSISTOR	D2001			1SS355	DIODE
Q3009			UN521E	TRANSISTOR	D2202			MTZJ8.2C	ZENER DIODE
			or RN1309	TRANSISTOR	D3001			LNB2301L01V1	LE DIODE
			or DTC144WU	TRANSISTOR	D3002			1SS133	DIODE
			or PDTC144WU	TRANSISTOR	D3003			RD39ES/B3/-T2	ZENER DIODE
Q4001			UN5211	TRANSISTOR				or MTZJ39C	ZENER DIODE
			or PDTC114EU	TRANSISTOR	D3004			11E2-T5	DIODE
			or DTC114EU	TRANSISTOR	D3005			11E2-T5	DIODE
			or RN1302	TRANSISTOR	D3007			1SS355	DIODE
Q4002			UN5211	TRANSISTOR	D3008			1SS355	DIODE
			or PDTC114EU	TRANSISTOR	D4001			1SS355	DIODE
			or RN1302	TRANSISTOR	D4002			1SS355	DIODE
			or DTC114EU	TRANSISTOR	D5001			S1WB/A/60-4102	BRIDGE DIODE
Q4003			UN5211	TRANSISTOR				or S1WB(A)60F4072X	BRIDGE DIODE
			or PDTC114EU	TRANSISTOR				or S1WB/A/60-X	BRIDGE DIODE
			or DTC114EU	TRANSISTOR	D5101			AU01	FR DIODE
			or RN1302	TRANSISTOR				or ERA18-04-T2	FR DIODE
Q5301			2SB1256	TRANSISTOR				or 10ELS4	FR DIODE
Q5302			DTC114TU	TRANSISTOR				or 1SR153-400-T2	FR DIODE
			or RN1311	TRANSISTOR	D5102			AU01	FR DIODE
			or UN5215	TRANSISTOR				or 1SR153-400-T2	FR DIODE
			or PDTC114TU	TRANSISTOR				or 10ELS4	FR DIODE
Q5303			2SD2144S/UV/-T	TRANSISTOR				or ERA18-04-T2	FR DIODE
Q5304			2SD1450/ST/-T	TRANSISTOR	D5103			AU01Z	FR DIODE
			or 2SD1302/ST/-T	TRANSISTOR				or PG104RS	FR DIODE
Q5305			UN5111	TRANSISTOR				or 1SR153-400-T2	FR DIODE
			or RN2302	TRANSISTOR				or ERA18-02-T2	FR DIODE
			or PDTA114EU	TRANSISTOR				or 10ELS2	FR DIODE
			or DTA114EU	TRANSISTOR	D5201			AK04	DIODE
Q5310			DTC114EU	TRANSISTOR				or 1S4	SB DIODE
			or PDTC114EU	TRANSISTOR				or 11EQS04	SB DIODE
			or UN5211	TRANSISTOR	D5202			FML-12S	FR DIODE
			or RN1302	TRANSISTOR				or SF5LC20U	FR DIODE
Q5311			2SA1576A/RS/-X	TRANSISTOR				or YG901C2	FR DIODE
Q5312			2SD2144S/UV/-T	TRANSISTOR				or ER602FCT	FR DIODE
Q5318			DTA114EU	TRANSISTOR				or FCF06A20	FR DIODE
			or PDTA114EU	TRANSISTOR	D5206			FMB-24	BARRIER DIODE
			or UN5111	TRANSISTOR				or FSQ05A04B	SB DIODE
			or RN2302	TRANSISTOR				or SB640FCT	SB DIODE
Q5320			2SB1256	TRANSISTOR				or YG801C04	SB DIODE
Q5321			DTC114TU	TRANSISTOR				or SF5SC4	SB DIODE
			or PDTC114TU	TRANSISTOR	D5209			ERA18-02-T2	FR DIODE
			or UN5215	TRANSISTOR				or PG104RS	FR DIODE
			or RN1311	TRANSISTOR				or 1SR153-400-T2	FR DIODE
Q5322			DTA114EU	TRANSISTOR				or 10ELS2	FR DIODE
			or PDTA114EU	TRANSISTOR	D5210			AU01Z	FR DIODE
			or UN5111	TRANSISTOR				or PG104RS	FR DIODE
			or RN2302	TRANSISTOR				or 10ELS2	FR DIODE
Q6030			2SB1218A/QR/-X	TRANSISTOR				or ERA18-02-T2	FR DIODE
			or 2SA1576A/QR/-X	TRANSISTOR				or 1SR153-400-T2	FR DIODE
			or 2PA1576/R/-X	TRANSISTOR	D5211			AU01Z	FR DIODE
Q6031			DTC114EU	TRANSISTOR				or ERA18-02-T2	FR DIODE
			or PDTC114EU	TRANSISTOR				or 1SR153-400-T2	FR DIODE
			or RN1302	TRANSISTOR				or 10ELS2	FR DIODE
			or UN5211	TRANSISTOR				or PG104RS	FR DIODE
Q6032			DTC114EU	TRANSISTOR	D5214			ERA18-02-T2	FR DIODE
			or PDTC114EU	TRANSISTOR				or 1SR153-400-T2	FR DIODE
			or UN5211	TRANSISTOR				or 10ELS2	FR DIODE
			or RN1302	TRANSISTOR				or PG104RS	FR DIODE
Q7201			2SC1317/RS/-T	TRANSISTOR	D5301			MTZJ15A	ZENER DIODE

#	△ REF No.	PART No.	PART NAME, DESCRIPTION		#	△ REF No.	PART No.	PART NAME, DESCRIPTION	
		or RD15ES/B1/-T2	ZENER DIODE		R114		NRSA02J-0R0X	MG RESISTOR	0Ω,1/10W
D5302		MTZJ6.8A	ZENER DIODE		R117		NRSA02J-104X	MG RESISTOR	100kΩ,1/10W
		or RD6.8ES/B1/-T2	ZENER DIODE		R401		NRSA02J-221X	MG RESISTOR	220Ω,1/10W
D5303		MTZJ27C	ZENER DIODE		R402		NRSA02J-681X	MG RESISTOR	680Ω,1/10W
		or RD27ES/B3/-T2	ZENER DIODE		R403		NRSA02J-561X	MG RESISTOR	560Ω,1/10W
D5304		1SS133	DIODE		R404		NRSA02J-473X	MG RESISTOR	47kΩ,1/10W
		or 1SS270A	DIODE		R405		NRSA02J-683X	MG RESISTOR	68kΩ,1/10W
D5305		11ES2	DIODE		R406		NRSA02J-393X	MG RESISTOR	39kΩ,1/10W
		or 1A3G	DIODE		R407		NRSA02J-472X	MG RESISTOR	4.7kΩ,1/10W
		or ERA15-02-T2	DIODE		R408		NRSA02J-473X	MG RESISTOR	47kΩ,1/10W
D5306		MTZJ11C	ZENER DIODE		R409		NRSA02J-103X	MG RESISTOR	10kΩ,1/10W
		or RD11ES/B3/-T2	ZENER DIODE		R2001		NRSA02J-681X	MG RESISTOR	680Ω,1/10W
D5307		1SS133	DIODE		R2002		NRSA02J-272X	MG RESISTOR	2.7kΩ,1/10W
		or 1SS270A	DIODE		R2003		QRE141J-101Y	RESISTOR	100Ω,1/4W
D5309		1SS133	DIODE		R2005		QRE141J-0R0Y	RESISTOR	0Ω,1/4W
		or 1SS270A	DIODE		R2006		QRE141J-393Y	RESISTOR	39kΩ,1/4W
D5310		MTZJ11C	ZENER DIODE		R2007		NRSA02J-393X	MG RESISTOR	39kΩ,1/10W
		or RD11ES/B3/-T2	ZENER DIODE		R2008		NRSA02J-123X	MG RESISTOR	12kΩ,1/10W
D5314		QUY160-100Y	IM BUS WIRE		R2009		NRSA02J-123X	MG RESISTOR	12kΩ,1/10W
D5315		11ES2	DIODE		R2010		NRSA02J-123X	MG RESISTOR	12kΩ,1/10W
		or ERA15-02-T2	DIODE		R2011		NRSA02J-103X	MG RESISTOR	10kΩ,1/10W
		or 1A3G	DIODE		R2013		NRSA02J-682X	MG RESISTOR	6.8kΩ,1/10W
D5316		QUY160-100Y	IM BUS WIRE		R2014		NRSA02J-224X	MG RESISTOR	220kΩ,1/10W
D6002		HZ30-2L-T2	ZENER DIODE		R2015		NRSA02J-181X	MG RESISTOR	180Ω,1/10W
		or HZ30-2LTD	Z DIODE (M)		R2016		NRSA02J-393X	MG RESISTOR	39kΩ,1/10W
R1		NRVA02D-682X	CMF RESISTOR	6.8kΩ,1/10W	R2017		NRSA02J-183X	MG RESISTOR	18kΩ,1/10W
R2		NRVA02D-152X	CMF RESISTOR	1.5kΩ,1/10W	R2018		NRSA02J-472X	MG RESISTOR	4.7kΩ,1/10W
R3		NRSA02J-182X	MG RESISTOR	1.8kΩ,1/10W	R2019		NRSA02J-472X	MG RESISTOR	4.7kΩ,1/10W
R5		NRSA02J-0R0X	MG RESISTOR	0Ω,1/10W	R2020		NRSA02J-102X	MG RESISTOR	1kΩ,1/10W
R6		NRSA02J-273X	MG RESISTOR	27kΩ,1/10W	R2025		NRSA02J-472X	MG RESISTOR	4.7kΩ,1/10W
R7		NRSA02J-681X	MG RESISTOR	680Ω,1/10W	R2053		NRSA02J-472X	MG RESISTOR	4.7kΩ,1/10W
R8		NRSA02J-0R0X	MG RESISTOR	0Ω,1/10W	R2056		NRSA02J-101X	MG RESISTOR	100Ω,1/10W
R9		NRSA02J-0R0X	MG RESISTOR	0Ω,1/10W	R2057		NRSA02J-473X	MG RESISTOR	47kΩ,1/10W
R23		NRSA02J-182X	MG RESISTOR	1.8kΩ,1/10W	R2058		NRSA02J-183X	MG RESISTOR	18kΩ,1/10W
R25		NRSA02J-103X	MG RESISTOR	10kΩ,1/10W	R2059		NRSA02J-473X	MG RESISTOR	47kΩ,1/10W
R26		NRSA02J-682X	MG RESISTOR	6.8kΩ,1/10W	R2060		NRSA02J-183X	MG RESISTOR	18kΩ,1/10W
R27		NRSA02J-221X	MG RESISTOR	220Ω,1/10W	R2061		NRSA02J-273X	MG RESISTOR	27kΩ,1/10W
R28		NRSA02J-221X	MG RESISTOR	220Ω,1/10W	R2062		NRSA02J-3R3X	MG RESISTOR	3.3Ω,1/10W
R29		NRSA02J-561X	MG RESISTOR	560Ω,1/10W	R2063		NRSA02J-151X	MG RESISTOR	150Ω,1/10W
R30		NRSA02J-0R0X	MG RESISTOR	0Ω,1/10W	R2064		NRSA02J-473X	MG RESISTOR	47kΩ,1/10W
R31		NRSA02J-152X	MG RESISTOR	1.5kΩ,1/10W	R2065		NRSA02J-183X	MG RESISTOR	18kΩ,1/10W
R32		NRSA02J-471X	MG RESISTOR	470Ω,1/10W	R2201		NRSA02J-680X	MG RESISTOR	68Ω,1/10W
R34		NDC21HJ-470X	CAPACITOR	47pF,50V	R2202		NRSA02J-222X	MG RESISTOR	2.2kΩ,1/10W
R36		NRSA02J-182X	MG RESISTOR	1.8kΩ,1/10W	R2203		NRSA02J-222X	MG RESISTOR	2.2kΩ,1/10W
R38		NRSA02J-102X	MG RESISTOR	1kΩ,1/10W	R2204		NRSA02J-102X	MG RESISTOR	1kΩ,1/10W
R40		NRSA02J-222X	MG RESISTOR	2.2kΩ,1/10W	R2205		NRSA02J-102X	MG RESISTOR	1kΩ,1/10W
R41		NRSA02J-392X	MG RESISTOR	3.9kΩ,1/10W	R2206		QRE141J-101Y	RESISTOR	100Ω,1/4W
R42		NRSA02J-681X	MG RESISTOR	680Ω,1/10W	R2208		QRE141J-101Y	RESISTOR	100Ω,1/4W
R46		NRSA02J-221X	MG RESISTOR	220Ω,1/10W	R2209		QRE141J-101Y	RESISTOR	100Ω,1/4W
R48		NRSA02J-102X	MG RESISTOR	1kΩ,1/10W	R2210		NRSA02J-103X	MG RESISTOR	10kΩ,1/10W
R51		NRSA02J-122X	MG RESISTOR	1.2kΩ,1/10W	R2211		NRSA02J-103X	MG RESISTOR	10kΩ,1/10W
R68		NRSA02J-222X	MG RESISTOR	2.2kΩ,1/10W	R2213		NRSA02J-393X	MG RESISTOR	39kΩ,1/10W
R70		NRSA02J-0R0X	MG RESISTOR	0Ω,1/10W	R2215		NRSA02J-153X	MG RESISTOR	15kΩ,1/10W
R77		NRSA02J-223X	MG RESISTOR	22kΩ,1/10W	R2217		NRSA02J-0R0X	MG RESISTOR	0Ω,1/10W
R79		NCB21AK-105X	CAPACITOR	1μF,10V	R2218		NRSA02J-393X	MG RESISTOR	39kΩ,1/10W
R88		NRSA02J-0R0X	MG RESISTOR	0Ω,1/10W	R2219		QRE141J-393Y	RESISTOR	39kΩ,1/4W
R90		NRSA02J-391X	MG RESISTOR	390Ω,1/10W	R2220		NRSA02J-393X	MG RESISTOR	39kΩ,1/10W
R92		NRSA02J-152X	MG RESISTOR	1.5kΩ,1/10W	R2222		NRSA02J-123X	MG RESISTOR	12kΩ,1/10W
R93		NRSA02J-222X	MG RESISTOR	2.2kΩ,1/10W	R2223		NRSA02J-123X	MG RESISTOR	12kΩ,1/10W
R104		NRSA02J-682X	MG RESISTOR	6.8kΩ,1/10W	R2224		NRSA02J-123X	MG RESISTOR	12kΩ,1/10W
R113		NRSA02J-101X	MG RESISTOR	100Ω,1/10W	R2225		NRSA02J-153X	MG RESISTOR	15kΩ,1/10W

#	△	REF No.	PART No.	PART NAME, DESCRIPTION		#	△	REF No.	PART No.	PART NAME, DESCRIPTION	
R2226			NRSA02J-123X	MG RESISTOR	12kΩ,1/10W	R3095			QUY160-100Y	IM BUS WIRE	
R2227			NRSA02J-123X	MG RESISTOR	12kΩ,1/10W	R3096			QUY160-100Y	IM BUS WIRE	
R2228			NRSA02J-103X	MG RESISTOR	10kΩ,1/10W	R3097			NRSA02J-0R0X	MG RESISTOR	0Ω,1/10W
R2229			QRE141J-563Y	RESISTOR	56kΩ,1/4W	R3103			NRSA02J-0R0X	MG RESISTOR	0Ω,1/10W
R2232			NRSA02J-680X	MG RESISTOR	68Ω,1/10W	R3105			NRSA02J-102X	MG RESISTOR	1kΩ,1/10W
R2251			NRSA02J-102X	MG RESISTOR	1kΩ,1/10W	R3106			NRSA02J-102X	MG RESISTOR	1kΩ,1/10W
R2252			NRSA02J-103X	MG RESISTOR	10kΩ,1/10W	R3201			NRSA02J-103X	MG RESISTOR	10kΩ,1/10W
R3011			QUY160-100Y	IM BUS WIRE		R3202			NRSA02J-472X	MG RESISTOR	4.7kΩ,1/10W
R3012			NRSA02J-0R0X	MG RESISTOR	0Ω,1/10W	R3203			NRSA02J-103X	MG RESISTOR	10kΩ,1/10W
R3013			NRSA02J-0R0X	MG RESISTOR	0Ω,1/10W	R3204			NRSA02J-222X	MG RESISTOR	2.2kΩ,1/10W
R3016			QUY160-100Y	IM BUS WIRE		R3205			QRE141J-181Y	RESISTOR	180Ω,1/4W
R3017			QUY160-100Y	IM BUS WIRE		R3206			QRE141J-183Y	RESISTOR	18kΩ,1/4W
R3018			QRE141J-682Y	RESISTOR	6.8kΩ,1/4W	R3207			NRSA02J-183X	MG RESISTOR	18kΩ,1/10W
R3019			QUY160-100Y	IM BUS WIRE		R3208			NRSA02J-181X	MG RESISTOR	180Ω,1/10W
R3022			NRSA02J-0R0X	MG RESISTOR	0Ω,1/10W	R3209			NRSA02J-273X	MG RESISTOR	27kΩ,1/10W
R3025			NRSA02J-0R0X	MG RESISTOR	0Ω,1/10W	R3210			NRSA02J-181X	MG RESISTOR	180Ω,1/10W
R3026			NRSA02J-0R0X	MG RESISTOR	0Ω,1/10W	R3211			NRSA02J-273X	MG RESISTOR	27kΩ,1/10W
R3027			NRSA02J-0R0X	MG RESISTOR	0Ω,1/10W	R3212			NRSA02J-474X	MG RESISTOR	470kΩ,1/10W
R3029			NRSA02J-472X	MG RESISTOR	4.7kΩ,1/10W	R3213			NRSA02J-334X	MG RESISTOR	330kΩ,1/10W
R3030			NRSA02J-472X	MG RESISTOR	4.7kΩ,1/10W	R3214			NRSA02J-103X	MG RESISTOR	10kΩ,1/10W
R3031			NRSA02J-0R0X	MG RESISTOR	0Ω,1/10W	R3215			NRSA02J-103X	MG RESISTOR	10kΩ,1/10W
R3032			NRSA02J-0R0X	MG RESISTOR	0Ω,1/10W	R3216			NRSA02J-103X	MG RESISTOR	10kΩ,1/10W
R3034			NRSA02J-0R0X	MG RESISTOR	0Ω,1/10W	R3217			NRSA02J-562X	MG RESISTOR	5.6kΩ,1/10W
R3038			NRSA02J-152X	MG RESISTOR	1.5kΩ,1/10W	R3218			QRE141J-472Y	RESISTOR	4.7kΩ,1/4W
R3040			NRSA02J-0R0X	MG RESISTOR	0Ω,1/10W	R3219			NRSA02J-472X	MG RESISTOR	4.7kΩ,1/10W
R3041			NRSA02J-0R0X	MG RESISTOR	0Ω,1/10W	R3220			NRSA02J-104X	MG RESISTOR	100kΩ,1/10W
R3042			NRSA02J-0R0X	MG RESISTOR	0Ω,1/10W	R3222			NRSA02J-472X	MG RESISTOR	4.7kΩ,1/10W
R3044			QUY153-050Y	IM BUS WIRE		R3223			NRSA02J-472X	MG RESISTOR	4.7kΩ,1/10W
R3046			QRE141J-102Y	RESISTOR	1kΩ,1/4W	R3224			NRSA02J-472X	MG RESISTOR	4.7kΩ,1/10W
R3047			QRE141J-102Y	RESISTOR	1kΩ,1/4W	R3225			NRSA02J-103X	MG RESISTOR	10kΩ,1/10W
R3048			QRE141J-102Y	RESISTOR	1kΩ,1/4W	R3229			NRSA02J-105X	MG RESISTOR	1MΩ,1/10W
R3049			NRSA02J-331X	MG RESISTOR	330Ω,1/10W	R3230			NRSA02J-472X	MG RESISTOR	4.7kΩ,1/10W
R3050			NRSA02J-331X	MG RESISTOR	330Ω,1/10W	R3231			NRSA02J-102X	MG RESISTOR	1kΩ,1/10W
R3051			NRSA02J-471X	MG RESISTOR	470Ω,1/10W	R3233			NRSA02J-103X	MG RESISTOR	10kΩ,1/10W
R3052			NRSA02J-471X	MG RESISTOR	470Ω,1/10W	R3234			NRSA02J-103X	MG RESISTOR	10kΩ,1/10W
R3053			NRSA02J-471X	MG RESISTOR	470Ω,1/10W	R3235			NRSA02J-332X	MG RESISTOR	3.3kΩ,1/10W
R3054			NRSA02J-0R0X	MG RESISTOR	0Ω,1/10W	R3236			NRSA02J-332X	MG RESISTOR	3.3kΩ,1/10W
R3055			NRSA02J-0R0X	MG RESISTOR	0Ω,1/10W	R3237			QRE141J-103Y	RESISTOR	10kΩ,1/4W
R3058			NRSA02J-102X	MG RESISTOR	1kΩ,1/10W	R3238			QRE141J-103Y	RESISTOR	10kΩ,1/4W
R3060			NRSA02J-102X	MG RESISTOR	1kΩ,1/10W	R3241			NRSA02J-104X	MG RESISTOR	100kΩ,1/10W
R3061			NRSA02J-102X	MG RESISTOR	1kΩ,1/10W	R3242			NRSA02J-472X	MG RESISTOR	4.7kΩ,1/10W
R3062			NRSA02J-0R0X	MG RESISTOR	0Ω,1/10W	R3245			NRSA02J-0R0X	MG RESISTOR	0Ω,1/10W
R3063			NRSA02J-472X	MG RESISTOR	4.7kΩ,1/10W	R3251			NRSA02J-103X	MG RESISTOR	10kΩ,1/10W
R3066			QRE141J-472Y	RESISTOR	4.7kΩ,1/4W	R3256			NRSA02J-0R0X	MG RESISTOR	0Ω,1/10W
R3069			NRSA02J-101X	MG RESISTOR	100Ω,1/10W	R3257			NRSA02J-103X	MG RESISTOR	10kΩ,1/10W
R3071			NRSA02J-103X	MG RESISTOR	10kΩ,1/10W	R3258			NRSA02J-103X	MG RESISTOR	10kΩ,1/10W
R3072			NRSA02J-0R0X	MG RESISTOR	0Ω,1/10W	R3260			NRSA02J-103X	MG RESISTOR	10kΩ,1/10W
R3073			NRSA02J-0R0X	MG RESISTOR	0Ω,1/10W	R3261			NRSA02J-103X	MG RESISTOR	10kΩ,1/10W
R3074			QUY160-100Y	IM BUS WIRE		R3671			NRSA02J-103X	MG RESISTOR	10kΩ,1/10W
R3075			NRSA02J-471X	MG RESISTOR	470Ω,1/10W	R3672			NRSA02J-103X	MG RESISTOR	10kΩ,1/10W
R3076			NRSA02J-471X	MG RESISTOR	470Ω,1/10W	R3673			NRSA02J-103X	MG RESISTOR	10kΩ,1/10W
R3079			NRSA02J-472X	MG RESISTOR	4.7kΩ,1/10W	R4001			NRSA02J-472X	MG RESISTOR	4.7kΩ,1/10W
R3083			NRSA02J-0R0X	MG RESISTOR	0Ω,1/10W	R4003			NRSA02J-561X	MG RESISTOR	560Ω,1/10W
R3085			NRSA02J-0R0X	MG RESISTOR	0Ω,1/10W	R4004			NRSA02J-561X	MG RESISTOR	560Ω,1/10W
R3086			NRSA02J-0R0X	MG RESISTOR	0Ω,1/10W	R4005			NRSA02J-562X	MG RESISTOR	5.6kΩ,1/10W
R3087			NRSA02J-0R0X	MG RESISTOR	0Ω,1/10W	R4006			NRSA02J-0R0X	MG RESISTOR	0Ω,1/10W
R3088			NRSA02J-0R0X	MG RESISTOR	0Ω,1/10W	R4007			NRSA02J-102X	MG RESISTOR	1kΩ,1/10W
R3089			NRSA02J-0R0X	MG RESISTOR	0Ω,1/10W	R4008			NRSA02J-102X	MG RESISTOR	1kΩ,1/10W
R3090			NRSA02J-0R0X	MG RESISTOR	0Ω,1/10W	R4009			NRSA02J-102X	MG RESISTOR	1kΩ,1/10W
R3091			NRSA02J-102X	MG RESISTOR	1kΩ,1/10W	R4010			NRSA02J-103X	MG RESISTOR	10kΩ,1/10W
R3094			QUY160-100Y	IM BUS WIRE		R4011			NRSA02J-272X	MG RESISTOR	2.7kΩ,1/10W

#	△ REF No.	PART No.	PART NAME, DESCRIPTION	#	△ REF No.	PART No.	PART NAME, DESCRIPTION
	R4012	NRSA02J-222X	MG RESISTOR 2.2kΩ,1/10W		R7253	NRSA02J-750X	MG RESISTOR 75Ω,1/10W
	R4013	NRSA02J-102X	MG RESISTOR 1kΩ,1/10W		B3	NRSA02J-0R0X	MG RESISTOR 0Ω,1/10W
	R4014	NRSA02J-0R0X	MG RESISTOR 0Ω,1/10W		B18	NRSA02J-0R0X	MG RESISTOR 0Ω,1/10W
	R4015	NRSA02J-223X	MG RESISTOR 22kΩ,1/10W		B42	NRSA02J-0R0X	MG RESISTOR 0Ω,1/10W
	R4016	NRSA02J-103X	MG RESISTOR 10kΩ,1/10W		B2204	NRSA02J-0R0X	MG RESISTOR 0Ω,1/10W
	R4017	NRSA02J-102X	MG RESISTOR 1kΩ,1/10W		B2205	QUY153-050Y	IM BUS WIRE
	R4018	NRSA02J-102X	MG RESISTOR 1kΩ,1/10W		B3004	NRSA02J-0R0X	MG RESISTOR 0Ω,1/10W
	R4019	NRSA02J-103X	MG RESISTOR 10kΩ,1/10W		B3005	QUY160-075Y	IM BUS WIRE
	R4020	NRSA02J-103X	MG RESISTOR 10kΩ,1/10W		B3012	QUY160-200Y	IM BUS WIRE
	R4021	NRSA02J-103X	MG RESISTOR 10kΩ,1/10W		B3030	NRSA02J-0R0X	MG RESISTOR 0Ω,1/10W
	R5101	QRG02GJ-104	OMF RESISTOR 100kΩ,2W		B3063	NRSA02J-0R0X	MG RESISTOR 0Ω,1/10W
	R5102	QRE141J-330Y	RESISTOR 33Ω,1/4W		B3651	NRSA02J-0R0X	MG RESISTOR 0Ω,1/10W
	R5103	NRSA02J-681X	MG RESISTOR 680Ω,1/10W		B3665	NRSA02J-0R0X	MG RESISTOR 0Ω,1/10W
	R5104	QRG029J-154G	OMF RESISTOR 150kΩ,2W		B5301	NRSA02J-0R0X	MG RESISTOR 0Ω,1/10W
	R5105	QRT01DJ-R39X	MF RESISTOR 0.39Ω,1W		B6001	NRSA02J-0R0X	MG RESISTOR 0Ω,1/10W
	R5106	NRSA02J-562X	MG RESISTOR 5.6kΩ,1/10W		B6032	NRSA02J-0R0X	MG RESISTOR 0Ω,1/10W
	R5301	QRE141J-1R0Y	RESISTOR 1Ω,1/4W		B6566	QUY160-150Y	IM BUS WIRE
	R5302	NRSA02J-102X	MG RESISTOR 1kΩ,1/10W		B7251	NRSA02J-0R0X	MG RESISTOR 0Ω,1/10W
	R5303	NRSA02J-122X	MG RESISTOR 1.2kΩ,1/10W		B7253	NRSA02J-0R0X	MG RESISTOR 0Ω,1/10W
△	R5304	QRZ9005-221X	FUSI RESISTOR 220Ω,1/4W		B7254	NRSA02J-0R0X	MG RESISTOR 0Ω,1/10W
	R5305	NRSA02J-471X	MG RESISTOR 470Ω,1/10W		B7255	QUY160-125Y	IM BUS WIRE
	R5306	NRSA02J-683X	MG RESISTOR 68kΩ,1/10W		C1	NCB21HK-103X	CAPACITOR 0.01μF,50V
	R5307	NRSA02J-102X	MG RESISTOR 1kΩ,1/10W		C2	NCB21HK-103X	CAPACITOR 0.01μF,50V
	R5308	NRSA02J-472X	MG RESISTOR 4.7kΩ,1/10W		C3	NCB21HK-103X	CAPACITOR 0.01μF,50V
	R5309	QRE141J-222Y	RESISTOR 2.2kΩ,1/4W		C4	NCB21HK-103X	CAPACITOR 0.01μF,50V
	R5313	QRE141J-222Y	RESISTOR 2.2kΩ,1/4W		C5	QEK0JM-476	E CAPACITOR 47μF,6.3V
	R5314	NRSA02J-102X	MG RESISTOR 1kΩ,1/10W		C6	NCB21HK-103X	CAPACITOR 0.01μF,50V
	R5317	NRSA02J-273X	MG RESISTOR 27kΩ,1/10W		C7	NCB21HK-102X	CAPACITOR 0.001μF,50V
	R5318	NRSA02J-273X	MG RESISTOR 27kΩ,1/10W		C8	NCB21EK-104X	CAPACITOR 0.1μF,25V
	R5319	QRE141J-221Y	RESISTOR 220Ω,1/4W		C9	QETN1HM-225	E CAPACITOR 2.2μF,50V
	R5321	QRE141J-221Y	RESISTOR 220Ω,1/4W		C10	NDC21HG-151X	CAPACITOR 150pF,50V
	R5322	NRSA02J-473X	MG RESISTOR 47kΩ,1/10W		C11	NCB21EK-104X	CAPACITOR 0.1μF,25V
	R5323	NRSA02J-473X	MG RESISTOR 47kΩ,1/10W		C12	NDC21HJ-8R0X	CAPACITOR 8pF,50V
	R5327	NRVA02D-303X	CMF RESISTOR 30kΩ,1/10W		C14	NCB21EK-104X	CAPACITOR 0.1μF,25V
	R5329	NRSA02J-103X	MG RESISTOR 10kΩ,1/10W		C15	NCB21EK-103X	CAPACITOR 0.01μF,50V
	R5330	NRSA02J-103X	MG RESISTOR 10kΩ,1/10W		C16	NCB21EK-104X	CAPACITOR 0.1μF,25V
	R5332	NRSA02J-103X	MG RESISTOR 10kΩ,1/10W		C17	QEKJ1HM-335	E CAPACITOR 3.3μF,50V
	R5334	QRE141J-103Y	RESISTOR 10kΩ,1/4W		C19	QEKJ1HM-225	E CAPACITOR 2.2μF,50V
	R5335	NRSA02J-472X	MG RESISTOR 4.7kΩ,1/10W		C20	QEKJ1HM-105	E CAPACITOR 1μF,50V
	R5336	NRSA02J-222X	MG RESISTOR 2.2kΩ,1/10W		C21	NCB21EK-104X	CAPACITOR 0.1μF,25V
	R6020	NRSA02J-102X	MG RESISTOR 1kΩ,1/10W		C22	QEKJ0JM-476	E CAPACITOR 47μF,6.3V
	R6021	NRSA02J-102X	MG RESISTOR 1kΩ,1/10W		C23	NCB21EK-104X	CAPACITOR 0.1μF,25V
	R6030	NRSA02J-102X	MG RESISTOR 1kΩ,1/10W		C24	NCB21EK-104X	CAPACITOR 0.1μF,25V
	R6031	NRSA02J-0R0X	MG RESISTOR 0Ω,1/10W		C25	NDC21HJ-6R0X	CAPACITOR 6pF,50V
	R6032	NRSA02J-332X	MG RESISTOR 3.3kΩ,1/10W		C26	NCB21EK-104X	CAPACITOR 0.1μF,25V
	R6033	NRSA02J-152X	MG RESISTOR 1.5kΩ,1/10W		C27	NCB21HK-223X	CAPACITOR 0.022μF,50V
	R6050	NRSA02J-101X	MG RESISTOR 100Ω,1/10W		C28	QEKJ1HM-335	E CAPACITOR 3.3μF,50V
	R6051	NRSA02J-101X	MG RESISTOR 100Ω,1/10W		C29	NCB21EK-333X	CAPACITOR 0.033μF,25V
	R6052	NRSA02J-101X	MG RESISTOR 100Ω,1/10W		C30	NCB21CK-474X	CAPACITOR 0.47μF,16V
	R6060	NRSA02J-103X	MG RESISTOR 10kΩ,1/10W		C31	QEKJ0JM-476	E CAPACITOR 47μF,6.3V
	R6061	NRSA02J-103X	MG RESISTOR 10kΩ,1/10W		C32	QCB1HK-103	CAPACITOR 0.01μF,50V
	R6080	NRSA02J-103X	MG RESISTOR 10kΩ,1/10W		C33	QEKJ1HM-225	E CAPACITOR 2.2μF,50V
	R6508	NRSA02J-0R0X	MG RESISTOR 0Ω,1/10W		C34	NCB21EK-104X	CAPACITOR 0.1μF,25V
	R6510	NRSA02J-0R0X	MG RESISTOR 0Ω,1/10W		C35	NCB21HK-103X	CAPACITOR 0.01μF,50V
	R6553	QUY160-100Y	IM BUS WIRE		C36	QEKJ1HM-475	E CAPACITOR 4.7μF,50V
	R6554	QUY160-100Y	IM BUS WIRE		C38	QEKJ0JM-476	E CAPACITOR 47μF,6.3V
	R7202	NRSA02J-221X	MG RESISTOR 220Ω,1/10W		C39	NCB21EK-104X	CAPACITOR 0.1μF,25V
	R7203	NRSA02J-472X	MG RESISTOR 4.7kΩ,1/10W		C40	QEKJ1EM-106	E CAPACITOR 10μF,25V
	R7204	QRE121J-100Y	RESISTOR 10Ω,1/2W		C45	QCFB1HZ-104	CAPACITOR 0.1μF,50V
	R7251	NRSA02J-750X	MG RESISTOR 75Ω,1/10W		C53	NDC21HJ-101X	CAPACITOR 100pF,50V
	R7252	NRSA02J-750X	MG RESISTOR 75Ω,1/10W		C59	NCB21HK-103X	CAPACITOR 0.01μF,50V

#	△	REF No.	PART No.	PART NAME, DESCRIPTION		#	△	REF No.	PART No.	PART NAME, DESCRIPTION	
C60			QEKJ0JM-476	E CAPACITOR	47μF,6.3V	C2220			QEKJ1HM-475	E CAPACITOR	4.7μF,50V
C61			NCB21HK-103X	CAPACITOR	0.01μF,50V	C2221			NCB21HK-103X	CAPACITOR	0.01μF,50V
C63			NCB21EK-104X	CAPACITOR	0.1μF,25V	C2222			QEKJ1HM-474	E CAPACITOR	0.47μF,50V
C64			NDC21HJ-220X	CAPACITOR	22pF,50V	C2223			QEKJ1HM-474	E CAPACITOR	0.47μF,50V
C65			QEKJ1HM-105	E CAPACITOR	1μF,50V	C2224			NCB21HK-103X	CAPACITOR	0.01μF,50V
C71			NCB21HK-103X	CAPACITOR	0.01μF,50V	C2225			QEKJ1HM-475	E CAPACITOR	4.7μF,50V
C72			NDC21HJ-470X	CAPACITOR	47pF,50V	C2226			QEKJ1EM-106	E CAPACITOR	10μF,25V
C73			NDC21HJ-120X	CAPACITOR	12pF,50V	C2227			NCB21CK-104X	CAPACITOR	0.1μF,16V
C80			NCB21HK-103X	CAPACITOR	0.01μF,50V	C2228			NCB21CK-104X	CAPACITOR	0.1μF,16V
C84			NRSA02J-153X	MG RESISTOR	15kΩ,1/10W	C2229			NDC21HJ-101X	CAPACITOR	100pF,50V
C94			NRSA02J-0R0X	MG RESISTOR	0Ω,1/10W	C2230			NDC21HJ-101X	CAPACITOR	100pF,50V
C106			NCB21HK-821X	CAPACITOR	820pF,50V	C2251			QEKJ1CM-476	E CAPACITOR	47μF,16V
C108			NDC21HJ-680X	CAPACITOR	68pF,50V	C2252			NCB21HK-103X	CAPACITOR	0.01μF,50V
C109			NCB21CK-224X	CAPACITOR	0.22μF,16V	C2253			NCB21HK-103X	CAPACITOR	0.01μF,50V
C110			NDC21HJ-820X	CAPACITOR	82pF,50V	C2254			NCB21HK-103X	CAPACITOR	0.01μF,50V
C114			NDC21HJ-181X	CAPACITOR	180pF,50V	C2255			NDC21HJ-181X	CAPACITOR	180pF,50V
C401			NCB21EK-103X	CAPACITOR	0.01μF,25V	C3001			NCB21EK-104X	CAPACITOR	0.1μF,25V
C402			NCB21HK-223X	CAPACITOR	0.022μF,50V	C3002			NCB21HK-103X	CAPACITOR	0.01μF,50V
C403			NDC21HJ-121X	CAPACITOR	120pF,50V	C3003			QEKJ1CM-106	E CAPACITOR	10μF,16V
C404			NDC21HJ-470X	CAPACITOR	47pF,50V	C3004			NCB21EK-104X	CAPACITOR	0.1μF,25V
C406			NCB21HK-102X	CAPACITOR	0.001μF,50V	C3008			NCB21HK-102X	CAPACITOR	0.001μF,50V
C407			NDC21HJ-150X	CAPACITOR	15pF,50V	C3011			QETL0JM-478	E CAPACITOR	4700μF,6.3V
C2001			QETN1HM-475	E CAPACITOR	4.7μF,50V	C3012			QEKJ0JM-107	E CAPACITOR	100μF,6.3V
C2002			QEKJ1EM-106	E CAPACITOR	10μF,25V	C3015			NCB21EK-104X	CAPACITOR	0.1μF,25V
C2003			QEKJ0JM-476	E CAPACITOR	47μF,6.3V	C3016			NCB21EK-104X	CAPACITOR	0.1μF,25V
C2004			NCB21HK-103X	CAPACITOR	0.01μF,50V	C3022			NCB21EK-104X	CAPACITOR	0.1μF,25V
C2005			QEKJ1HM-475	E CAPACITOR	4.7μF,50V	C3024			NDC21HJ-220X	CAPACITOR	22pF,50V
C2006			NCB21HK-123X	CAPACITOR	0.012μF,50V	C3025			QAT3725-300Z	TRIM CAPACITOR, TIMER CLOCK	
C2007			QEKJ1CM-226	E CAPACITOR	22μF,16V	C3026			NCB21HK-103X	CAPACITOR	0.01μF,50V
C2008			QEKJ1EM-475	E CAPACITOR	4.7μF,25V	C3027			NBE20JM-106X	T CAPACITOR	10μF,6.3V
C2009			NCB21HK-102X	CAPACITOR	0.001μF,50V	C3030			NBE20JM-226X	T CAPACITOR	22μF,6.3V
C2010			NCB21HK-152X	CAPACITOR	0.0015μF,50V	C3031			NCB21EK-104X	CAPACITOR	0.1μF,25V
C2011			QEKJ1EM-475	E CAPACITOR	4.7μF,25V	C3032			NCB21EK-104X	CAPACITOR	0.1μF,25V
C2012			QEKJ1EM-475	E CAPACITOR	4.7μF,25V	C3033			NCB21EK-104X	CAPACITOR	0.1μF,25V
C2013			NDC21HJ-3R0X	CAPACITOR	3pF,50V	C3036			NDC21HJ-180X	CAPACITOR	18pF,50V
C2016			NCB21HK-331X	CAPACITOR	330pF,50V	C3037			NDC21HJ-120X	CAPACITOR	12pF,50V
C2021			NCB21HK-682X	CAPACITOR	0.0068μF,50V	C3040			QCFB1HZ-104	CAPACITOR	0.1μF,50V
C2051			NCB21HK-331X	CAPACITOR	330pF,50V	C3050			NCB21EK-104X	CAPACITOR	0.1μF,25V
C2061			QFLC1HJ-333Z	F CAPACITOR	0.033μF,50V	C3602			NCB21EK-104X	CAPACITOR	0.1μF,25V
C2062			NCB21HK-332X	CAPACITOR	0.0033μF,50V	C3652			NCB21EK-104X	CAPACITOR	0.1μF,25V
C2063			NCB21HK-103X	CAPACITOR	0.01μF,50V	C4002			NCB21EK-104X	CAPACITOR	0.1μF,25V
C2064			QEKJ1EM-106	E CAPACITOR	10μF,25V	C4003			NCB21HK-102X	CAPACITOR	0.001μF,50V
C2201			NCB21EK-104X	CAPACITOR	0.1μF,25V	C4004			NBE20JM-226X	T CAPACITOR	22μF,6.3V
C2202			NCB21EK-333X	CAPACITOR	0.033μF,25V	C4006			NBE40JM-476X	T CAPACITOR	47μF,6.3V
C2203			QEKJ1EM-106	E CAPACITOR	10μF,25V	C4007			NCB21HK-102X	CAPACITOR	0.001μF,50V
C2204			QDGB1HK-102Y	CAPACITOR	0.001μF,50V	C4008			NCB21AK-105X	CAPACITOR	1μF,10V
C2205			QEKJ1HM-105	E CAPACITOR	1μF,50V	C4009			NCB21HK-563X	CAPACITOR	0.056μF,50V
C2206			QEKJ1EM-106	E CAPACITOR	10μF,25V	C4010			NCB21EK-223X	CAPACITOR	0.022μF,25V
C2207			QEKJ1CM-476	E CAPACITOR	47μF,16V	C4011			NCB21EK-104X	CAPACITOR	0.1μF,25V
C2208			QETN1HM-475	E CAPACITOR	4.7μF,50V	C4012			NCB21EK-224X	CAPACITOR	0.22μF,25V
C2209			QEKJ1HM-104	E CAPACITOR	0.1μF,50V	C4013			NCB21HK-563X	CAPACITOR	0.056μF,50V
C2210			QEKJ1HM-104	E CAPACITOR	0.1μF,50V	C4014			NDC21HJ-101X	CAPACITOR	100pF,50V
C2211			QEKJ1HM-105	E CAPACITOR	1μF,50V	C4015			NDC21HJ-331X	CAPACITOR	330pF,50V
C2212			QEKJ1HM-105	E CAPACITOR	1μF,50V	C4016			NDC21HJ-681X	CAPACITOR	680pF,50V
C2213			QEKJ1EM-106	E CAPACITOR	10μF,25V	C4017			NCB21HK-222X	CAPACITOR	0.0022μF,50V
C2214			QEKJ1EM-106	E CAPACITOR	10μF,25V	△ C5001			QFZ9073-683	F CAPACITOR	0.068μF,250V
C2215			QEKJ1EM-475	E CAPACITOR	4.7μF,25V	△ C5002			QFZ9051-333	F CAPACITOR	0.033μF,250V
C2216			QEKJ1HM-474	E CAPACITOR	0.47μF,50V	△ C5004			QCZ9071-222	CAPACITOR	0.0022μF,250V
C2217			QEKJ1EM-106	E CAPACITOR	10μF,25V	C5006			QEZ0375-686	E CAPACITOR	68μF,400V
C2218			QEKJ1HM-474	E CAPACITOR	0.47μF,50V	C5101			QCZ0212-472	CAPACITOR	0.0047μF,1kV
C2219			QEKJ1EM-106	E CAPACITOR	10μF,25V	C5102			QEMU1VM-276	E CAPACITOR	27μF,35V

#	△ REF No.	PART No.	PART NAME, DESCRIPTION	#	△ REF No.	PART No.	PART NAME, DESCRIPTION
C5103		QCZ0302-330Z	CAPACITOR 33pF,1kV	X3001		QAX0445-001	CRYSTAL RESONATOR
C5104		QFLC1HJ-471Z	F CAPACITOR 470pF,50V	X3002		QAX0527-001	CRYSTAL RESONATOR
C5107		QCZ0353-101Z	CAPACITOR 100pF,1kV	S3002		QSW0695-001	PUSH SWITCH,S CASS SW
C5201		QEMU0JM-227	E CAPACITOR 220μF,6.3V	K2001		NQL103K-R10X	COIL 0.1μH
C5202		QEMT1CM-827	E CAPACITOR 820μF,16V	K2002		NQL103K-R10X	COIL 0.1μH
C5203		QEMT1AM-228	E CAPACITOR 2200μF,10V	K2003		NQL103K-R10X	COIL 0.1μH
C5204		QETN2AM-475	E CAPACITOR 4.7μF,100V	K2004		NQL103K-R10X	COIL 0.1μH
C5205		QETN1HM-106	E CAPACITOR 10μF,50V	K2251		NRSA02J-0R0X	MG RESISTOR 0Ω,1/10W
C5206		QEMU1EM-187	E CAPACITOR 180μF,25V	K2252		NRSA02J-0R0X	MG RESISTOR 0Ω,1/10W
C5207		QETN1CM-227	E CAPACITOR 220μF,16V	K2253		NRSA02J-0R0X	MG RESISTOR 0Ω,1/10W
C5208		QETN1AM-227	E CAPACITOR 220μF,10V	K5101		QQR0678-001Z	FERRITE BEAD
C5212		QEMU1VM-127	E CAPACITOR 120μF,35V	K5102		QQR0678-001Z	FERRITE BEAD
C5213		QEMU0JM-227	E CAPACITOR 220μF,6.3V	K5201		QQR0678-001Z	FERRITE BEADS
C5301		QETM0JM-108	E CAPACITOR 1000μF,6.3V	PC3001		GP3S123	IC(PHOTO SENSOR)
C5303		QETN1CM-107	E CAPACITOR 100μF,16V	PC3002		GP3S123	IC(PHOTO SENSOR)
C5304		QFVF1HJ-274Z	F CAPACITOR 0.27μF,50V	△ PC5101		PC123F2	PH COUPLER
C5305		NCB21HK-103X	CAPACITOR 0.01μF,50V	T2052		PELN0861	OSC TRANSFORMER
C5306		QEKJ0JM-107	E CAPACITOR 100μF,6.3V	△ T5001		QQS0057-001	SW TRANSFORMER
C5307		QEKJ0JM-476	E CAPACITOR 47μF,6.3V	TU6001		QAU0208-002	TUNER
C5308		QETN1CM-107	E CAPACITOR 100μF,16V	ET1		PQ21623-1-5	EARTH PLATE(RF)
C5309		QETN1CM-107	E CAPACITOR 100μF,16V	HS1		LP40621-001A	HEAT SINK,IC5101
C6014		NCB21HK-103X	CAPACITOR 0.01μF,50V	HS2		LP40479-001B	HEAT SINK,IC5301
C6016		NCB21HK-103X	CAPACITOR 0.01μF,50V	SD1		LP30720-001A	SHIELD CASE(PRE/REC)
C6023		NRSA02J-0R0X	MG RESISTOR 0Ω,1/10W	OT1		QYTDSTF3010Z	SCREW,X2 TERMINAL
C6032		NCF21EZ-473X	CAPACITOR 0.047μF,25V	OT2		PU59915-105	#500SPACER0.01,C45
C6033		NRSA02J-0R0X	MG RESISTOR 0Ω,1/10W	OT3		QYTDST3008Z	SCREW,IC5101
C6037		NBE20JM-106X	T CAPACITOR 10μF,6.3V	OT4		QYTDST3006Z	SCREW,IC5301
C6553		QEKJ0JM-337	E CAPACITOR 330μF,6.3V	FC5001		QNG0006-001Z	FUSE CLIP,F5001
C7202		QETJ0JM-477	E CAPACITOR 470μF,6.3V	FC5002		QNG0006-001Z	FUSE CLIP,F5001
C7251		NRSA02J-0R0X	MG RESISTOR 0Ω,1/10W	△ LF5001		PELN1204-01-01	LINE FILTER
L1		QQL29BJ-100Z	COIL 10μH	△ LF5002		QQR0608-001	LINE FILTER
L2		QQL071J-121Y	COIL 120μH	CN1		QGF1028C1-13	FPC CONNECTOR,(1-13)U.DRUM
L3		QQL29BJ-100Z	COIL 10μH	CN902		QGF1207C1-11	FPC CONNECTOR,(1-11)FRONT IN
L4		QQL29BJ-100Z	COIL 10μH	CN903		QGB2024K1-12S	CONNECTOR,(1-12)TERMINAL
L5		QQR0521-012Z	NOISE FILTER	CN904		QGB2024K1-12S	CONNECTOR,(1-12)TERMINAL
L12		QQR0967-001	COIL 12μH	CN905		QGB2024K1-05S	CONNECTOR,(1-5)TERMINAL
L13		QQL071J-330Y	COIL 33μH	CN907		QGB2024K1-10S	CONNECTOR,(1-10)TERMINAL
L15		QQL29BJ-100Z	COIL 10μH	CN2001		QGF1207C1-07	FPC CONNECTOR,(1-7)A/C HEAD
L18		QQL071J-220Y	COIL 22μH	CN2002		QGB2532J1-02	CONNECTOR,(1-2)FE HEAD
L19		QQL071J-120Y	COIL 12μH	CN2051		QGB2024K1-04S	CONNECTOR,(1-4)AUDIO ERASE
L20		QUY153-050Y	IM BUS WIRE	CN3001		QGF1207C1-05	FPC CONNECTOR,(1-5)DRUM
L24		QQL071J-270Y	COIL 27μH	CN3002		QGB2532J1-02	CONNECTOR,(1-2)LOADING MOTOR
L27		QQL071J-330Y	COIL 33μH	CN3003		QGB2015M2-08	CONNECTOR,(1-8)CAPSTAN MOTOR
L28		QQL071J-680Y	COIL 68μH	CN3004		QGB2534J2-04	CONNECTOR,(1-4)ROTARY ENCODER
L401		QQL071J-150Y	COIL 15μH	CN3011		QGF1207C1-14	FPC CONNECTOR,(1-14)FRONT
L402		QUY153-050Y	IM BUS WIRE	CN3012		QGF1207C1-04	FPC CONNECTOR,(1-4)ADV.JOG
L2001		QUY153-050Y	IM BUS WIRE	△ CN5001		QGA7901C3-02	CONNECTOR,(1-2)AC IN
L2251		QQL29BJ-100Z	COIL 10μH	△ CP4001		ICP-N25	CIRCUIT PROTECTOR
L2252		QQL29BJ-151Z	COIL 150μH	△ CP5301		ICP-N38	CIRCUIT PROTECTOR
L3001		QUY153-050Y	IM BUS WIRE	△ CP5302		ICP-N25	CIRCUIT PROTECTOR
L5201		PELN1184	COIL 33μH	CP5303		QUY153-050Y	IM BUS WIRE
L5202		PU60944-330K	COIL 33μH	△ F5001		QMF51E2-2R0J1	FUSE T2.0A,AC250V
L6001		QQL29BJ-100Z	COIL 10μH				
L6002		QQL29BJ-100Z	COIL 10μH				
L6004		QQL29BJ-100Z	COIL 10μH				
L6005		QQL29BJ-100Z	COIL 10μH				
L6032		QUY153-050Y	IM BUS WIRE				
L6501		QUY153-050Y	IM BUS WIRE				
L7201		QQL01BJ-101Z	COIL 100μH				
X1		QAX0576-001	CRYSTAL RESONATOR				
X2		QCB1HK-103	CAPACITOR 0.01μF,50V				

Δ REF No. PART No. PART NAME, DESCRIPTION

3D DIGITAL/2M BOARD ASSEMBLY <05>

PW1	LPA10105-05A	3D DIGITAL/2M BOARD ASSY	
IC1401	JCP8026	IC	
Δ Q1401	2SC1317/RS-T	TRANSISTOR	
Q1402	2SA1576A/QR/-X	TRANSISTOR	
	or 2PA1576R/-X	TRANSISTOR	
Q1403	2SA1576A/QR/-X	TRANSISTOR	
	or 2PA1576R/-X	TRANSISTOR	
Q1404	DTC144WU	TRANSISTOR	
	or RN1309	TRANSISTOR	
	or UN521E	TRANSISTOR	
Q1406	2SA1576A/QR/-X	TRANSISTOR	
	or 2PA1576R/-X	TRANSISTOR	
Q1407	2SA1576A/QR/-X	TRANSISTOR	
	or 2PA1576R/-X	TRANSISTOR	
Q1408	2SC4081/S/-X	TRANSISTOR	
Q1410	2SC4081/QRS/-X	TRANSISTOR	
	or 2PC4081R/-X	TRANSISTOR	
Q1412	2SC4081/QRS/-X	TRANSISTOR	
	or 2PC4081R/-X	TRANSISTOR	
Q1413	2SA1576A/QR/-X	TRANSISTOR	
	or 2PA1576R/-X	TRANSISTOR	
Q1414	DTC144WU	TRANSISTOR	
	or RN1309	TRANSISTOR	
	or UN521E	TRANSISTOR	
Q1417	2SC4081/QRS/-X	TRANSISTOR	
	or 2PC4081R/-X	TRANSISTOR	
Q1418	2SA1576A/QR/-X	TRANSISTOR	
	or 2PA1576R/-X	TRANSISTOR	
Q1419	DTC124TU	TRANSISTOR	
Q1420	2SC4081/QRS/-X	TRANSISTOR	
	or 2PC4081R/-X	TRANSISTOR	
D1401	RD4.3ES/B3/T2	ZENER DIODE	
D1402	1SS133	DIODE	
	or 1N4148M	DIODE	
R1401	NRSA02J-181X	MG RESISTOR	180 Ω ,1/10W
R1402	NRSA02J-101X	MG RESISTOR	100 Ω ,1/10W
R1404	NRSA02J-182X	MG RESISTOR	1.8k Ω ,1/10W
R1406	NRSA02J-471X	MG RESISTOR	470 Ω ,1/10W
R1407	NRSA02J-272X	MG RESISTOR	2.7k Ω ,1/10W
R1408	NRSA02J-122X	MG RESISTOR	1.2k Ω ,1/10W
R1410	NRSA02J-391X	MG RESISTOR	390 Ω ,1/10W
R1411	NRSA02J-152X	MG RESISTOR	1.5k Ω ,1/10W
R1413	NRSA02J-331X	MG RESISTOR	330 Ω ,1/10W
R1414	NRSA02J-821X	MG RESISTOR	820 Ω ,1/10W
R1415	NRSA02J-221X	MG RESISTOR	220 Ω ,1/10W
R1416	NRSA02J-104X	MG RESISTOR	100k Ω ,1/10W
R1417	NRSA02J-101X	MG RESISTOR	100 Ω ,1/10W
R1418	NRSA02J-471X	MG RESISTOR	470 Ω ,1/10W
R1421	NRSA02J-391X	MG RESISTOR	390 Ω ,1/10W
R1426	NRSA02J-561X	MG RESISTOR	560 Ω ,1/10W
R1427	NRSA02J-333X	MG RESISTOR	33k Ω ,1/10W
R1428	NRSA02J-393X	MG RESISTOR	39k Ω ,1/10W
R1429	NRSA02J-152X	MG RESISTOR	1.5k Ω ,1/10W
R1430	NRSA02J-222X	MG RESISTOR	2.2k Ω ,1/10W
R1431	NRSA02J-821X	MG RESISTOR	820 Ω ,1/10W
R1432	NRSA02J-182X	MG RESISTOR	1.8k Ω ,1/10W
R1433	NRSA02J-510X	MG RESISTOR	51 Ω ,1/10W

# Δ REF No.	PART No.	PART NAME, DESCRIPTION	
R1434	NRSA02J-153X	MG RESISTOR	15k Ω ,1/10W
R1435	NRSA02J-223X	MG RESISTOR	22k Ω ,1/10W
R1436	NRSA02J-682X	MG RESISTOR	6.8k Ω ,1/10W
R1437	NRSA02J-392X	MG RESISTOR	3.9k Ω ,1/10W
R1438	NRSA02J-473X	MG RESISTOR	47k Ω ,1/10W
R1439	NRSA02J-273X	MG RESISTOR	27k Ω ,1/10W
R1440	NRSA02J-473X	MG RESISTOR	47k Ω ,1/10W
R1441	NRSA02J-682X	MG RESISTOR	6.8k Ω ,1/10W
R1442	NRSA02J-682X	MG RESISTOR	6.8k Ω ,1/10W
R1446	NRSA02J-102X	MG RESISTOR	1k Ω ,1/10W
R1447	NRSA02J-102X	MG RESISTOR	1k Ω ,1/10W
R1448	NRSA02J-102X	MG RESISTOR	1k Ω ,1/10W
R1449	NRSA02J-102X	MG RESISTOR	1k Ω ,1/10W
R1450	NRSA02J-102X	MG RESISTOR	1k Ω ,1/10W
R1452	NRSA02J-471X	MG RESISTOR	470 Ω ,1/10W
R1453	NRSA02J-102X	MG RESISTOR	1k Ω ,1/10W
R1454	NRSA02J-102X	MG RESISTOR	1k Ω ,1/10W
R1455	NRSA02J-681X	MG RESISTOR	680 Ω ,1/10W
R1458	NRSA02J-681X	MG RESISTOR	680 Ω ,1/10W
R1459	NRSA02J-681X	MG RESISTOR	680 Ω ,1/10W
R1460	NRSA02J-273X	MG RESISTOR	27k Ω ,1/10W
R1461	NRSA02J-121X	MG RESISTOR	120 Ω ,1/10W
R1463	NRSA02J-101X	MG RESISTOR	100 Ω ,1/10W
VR1401	QVZ3521-103Z	V RESISTOR, D/A LEVEL ADJ.	
B1412	NRSA02J-0R0X	MG RESISTOR	0 Ω ,1/10W
C1401	QEKJ1CM-336	E CAPACITOR	33 μ F,16V
C1402	NCB21HK-103X	CAPACITOR	0.01 μ F,50V
C1403	QEKJ0JM-337	E CAPACITOR	330 μ F,6.3V
C1404	NCF21EZ-104X	CAPACITOR	0.1 μ F,25V
C1405	NCF21EZ-104X	CAPACITOR	0.1 μ F,25V
C1406	NCB21HK-103X	CAPACITOR	0.01 μ F,50V
C1407	NDC21HJ-680X	CAPACITOR	68pF,50V
C1408	NDC21HJ-330X	CAPACITOR	33pF,50V
C1410	QEKJ1EM-475	E CAPACITOR	4.7 μ F,25V
C1411	NCF21EZ-104X	CAPACITOR	0.1 μ F,25V
C1412	NDC21HJ-680X	CAPACITOR	68pF,50V
C1413	NDC21HJ-330X	CAPACITOR	33pF,50V
C1415	NCF21EZ-104X	CAPACITOR	0.1 μ F,25V
C1416	QEKJ1CM-106	E CAPACITOR	10 μ F,16V
C1417	NCF21EZ-104X	CAPACITOR	0.1 μ F,25V
C1421	NDC21HJ-330X	CAPACITOR	33pF,50V
C1422	NDC21HJ-680X	CAPACITOR	68pF,50V
C1423	NCF21EZ-104X	CAPACITOR	0.1 μ F,25V
C1424	NCB21HK-103X	CAPACITOR	0.01 μ F,50V
C1425	NCB21HK-103X	CAPACITOR	0.01 μ F,50V
C1426	NDC21HJ-390X	CAPACITOR	39pF,50V
C1428	NDC21HJ-220X	CAPACITOR	22pF,50V
C1429	QEKJ0JM-337	E CAPACITOR	330 μ F,6.3V
C1430	NCF21EZ-104X	CAPACITOR	0.1 μ F,25V
C1432	NCF21CZ-105X	CAPACITOR	1 μ F,16V
C1433	NCF21EZ-104X	CAPACITOR	0.1 μ F,25V
C1435	NCF21EZ-104X	CAPACITOR	0.1 μ F,25V
C1436	NCF21EZ-104X	CAPACITOR	0.1 μ F,25V
C1437	NCF21EZ-104X	CAPACITOR	0.1 μ F,25V
C1438	NCF21EZ-104X	CAPACITOR	0.1 μ F,25V
C1439	NCF21CZ-105X	CAPACITOR	1 μ F,16V
C1440	NCF21EZ-104X	CAPACITOR	0.1 μ F,25V
C1441	NCF21EZ-104X	CAPACITOR	0.1 μ F,25V
C1442	NCF21CZ-105X	CAPACITOR	1 μ F,16V
C1444	NCF21EZ-104X	CAPACITOR	0.1 μ F,25V
C1445	NCF21EZ-104X	CAPACITOR	0.1 μ F,25V

#	△ REF No.	PART No.	PART NAME, DESCRIPTION
C1446		QEKJ0JM-476	E CAPACITOR 47μF,6.3V
C1447		NCF21EZ-104X	CAPACITOR 0.1μF,25V
C1448		QEKJ0JM-476	E CAPACITOR 47μF,6.3V
C1449		NCF21EZ-104X	CAPACITOR 0.1μF,25V
C1450		NCF21EZ-104X	CAPACITOR 0.1μF,25V
C1451		QEKJ1EM-475	E CAPACITOR 4.7μF,25V
C1452		NCF21EZ-104X	CAPACITOR 0.1μF,25V
C1453		NCF21EZ-104X	CAPACITOR 0.1μF,25V
C1454		NCF21EZ-104X	CAPACITOR 0.1μF,25V
C1455		NCF21EZ-104X	CAPACITOR 0.1μF,25V
C1463		QEKJ0JM-336	E CAPACITOR 33μF,6.3V
C1468		NDC21HJ-101X	CAPACITOR 100pF,50V
C1470		NDC21HJ-330X	CAPACITOR 33pF,50V
C1471		NCF21EZ-104X	CAPACITOR 0.1μF,25V
C1472		NCF21EZ-104X	CAPACITOR 0.1μF,25V
C1473		NCF21EZ-104X	CAPACITOR 0.1μF,25V
L1401		QQL29BJ-100Z	COIL 10μH
L1402		QQL071J-6R8Y	COIL 6.8μH
L1403		QQL071J-6R8Y	COIL 6.8μH
L1404		QQL071J-6R8Y	COIL 6.8μH
L1405		QQL01BJ-101Z	COIL 100μH
L1406		QQL071J-330Y	COIL 33μH
L1407		QQL01BJ-101Z	COIL 100μH
L1409		QQL071J-1R0Y	COIL 1.0μH
LC1401		QQR0521-007Z	NOISE FILTER
LC1402		QQR0521-006Z	NOISE FILTER
SD1		LP30706-001C	SHIELD FRAME(S-VHS)
SD2		LP30684-001A	SHIELD CASE(S-VHS)
CN1401		QGG2502K1-17	HEADER PIN, (1-17)MAIN

#	△ REF No.	PART No.	PART NAME, DESCRIPTION
		or 2PC4081/R/-X	TRANSISTOR
Q907		2SD1819A/QRS/-X	TRANSISTOR
		or 2SC4081/QRS/-X	TRANSISTOR
		or 2PC4081/R/-X	TRANSISTOR
Q908		2SB1218A/QR/-X	TRANSISTOR
		or 2PA1576/R/-X	TRANSISTOR
		or 2SA1576A/QR/-X	TRANSISTOR
Q909		2SB1218A/QR/-X	TRANSISTOR
		or 2SA1576A/QR/-X	TRANSISTOR
		or 2PA1576/R/-X	TRANSISTOR
Q911		UN521E	TRANSISTOR
		or RN1309	TRANSISTOR
		or DTC144WU	TRANSISTOR
		or PDTC144WU	TRANSISTOR
Q912		UN5215	TRANSISTOR
		or RN1311	TRANSISTOR
		or DTC114TU	TRANSISTOR
		or PDTC114TU	TRANSISTOR
D201		QRE141J-152Y	RESISTOR 1.5kΩ,1/4W
D205		1SS133	DIODE
R202		NRSA02J-103X	MG RESISTOR 10kΩ,1/10W
R208		NRSA02J-222X	MG RESISTOR 2.2kΩ,1/10W
R209		NRSA02J-512X	MG RESISTOR 5.1kΩ,1/10W
R210		NRSA02J-182X	MG RESISTOR 1.8kΩ,1/10W
R211		NRSA02J-562X	MG RESISTOR 5.6kΩ,1/10W
R212		NRSA02J-101X	MG RESISTOR 100Ω,1/10W
R213		NRSA02J-0R0X	MG RESISTOR 0Ω,1/10W
R214		NRSA02J-103X	MG RESISTOR 10kΩ,1/10W
R216		NRSA02J-103X	MG RESISTOR 10kΩ,1/10W
R218		NRSA02J-331X	MG RESISTOR 330Ω,1/10W
R901		NRSA02J-750X	MG RESISTOR 75Ω,1/10W
R902		NRSA02J-750X	MG RESISTOR 75Ω,1/10W
R903		NRSA02J-680X	MG RESISTOR 68Ω,1/10W
R904		NRSA02J-101X	MG RESISTOR 100Ω,1/10W
R905		NRSA02J-101X	MG RESISTOR 100Ω,1/10W
R906		NQL402M-100X	COIL 100μH
R907		NQL402M-100X	COIL 10μH
R908		NRSA02J-0R0X	MG RESISTOR 0Ω,1/10W
R909		NRSA02J-750X	MG RESISTOR 75Ω,1/10W
R910		NRSA02J-750X	MG RESISTOR 75Ω,1/10W
R911		NRSA02J-750X	MG RESISTOR 75Ω,1/10W
R912		NRSA02J-101X	MG RESISTOR 100Ω,1/10W
R913		NRSA02J-101X	MG RESISTOR 100Ω,1/10W
R914		NQL402M-100X	COIL 10μH
R915		NQL402M-100X	COIL 10μH
R916		NRSA02J-102X	MG RESISTOR 1kΩ,1/10W
R917		NRSA02J-0R0X	MG RESISTOR 0Ω,1/10W
R918		NRSA02J-0R0X	MG RESISTOR 0Ω,1/10W
R919		NRSA02J-101X	MG RESISTOR 100Ω,1/10W
R920		NRSA02J-0R0X	MG RESISTOR 0Ω,1/10W
R921		QRE123J-391X	RESISTOR 390Ω,1/2W
R922		QRE123J-391X	RESISTOR 390Ω,1/2W
R923		NRSA02J-750X	MG RESISTOR 75Ω,1/10W
R924		NRSA02J-750X	MG RESISTOR 75Ω,1/10W
R931		NRSA02J-101X	MG RESISTOR 100Ω,1/10W
R932		NRSA02J-511X	MG RESISTOR 510Ω,1/10W
R933		NRSA02J-471X	MG RESISTOR 470Ω,1/10W
R934		NRSA02J-101X	MG RESISTOR 100Ω,1/10W
R935		QRE141J-101Y	RESISTOR 100Ω,1/4W
R936		NRSA02J-101X	MG RESISTOR 100Ω,1/10W
R937		QRE141J-101Y	RESISTOR 100Ω,1/4W

TERMINAL BOARD ASSEMBLY <06>

PW1	LPA10100-22B	TERMINAL BOARD ASSY
IC201	LC74775-9750	IC
IC901	BH7636S	IC
Q207	2SB1218A/QR/-X	TRANSISTOR
	or 2SA1576A/QR/-X	TRANSISTOR
	or 2PA1576/R/-X	TRANSISTOR
Q901	UN5211	TRANSISTOR
	or RN1302	TRANSISTOR
	or PDTC114EU	TRANSISTOR
	or DTC114EU	TRANSISTOR
Q902	2SB1218A/QR/-X	TRANSISTOR
	or 2PA1576/R/-X	TRANSISTOR
	or 2SA1576A/QR/-X	TRANSISTOR
Q903	2SB1218A/QR/-X	TRANSISTOR
	or 2SA1576A/QR/-X	TRANSISTOR
	or 2PA1576/R/-X	TRANSISTOR
Q904	2SB1218A/QR/-X	TRANSISTOR
	or 2PA1576/R/-X	TRANSISTOR
	or 2SA1576A/QR/-X	TRANSISTOR
Q905	2SD1819A/QRS/-X	TRANSISTOR
	or 2SC4081/QRS/-X	TRANSISTOR
	or 2PC4081/R/-X	TRANSISTOR
Q906	2SD1819A/QRS/-X	TRANSISTOR
	or 2SC4081/QRS/-X	TRANSISTOR

#	REF No.	PART No.	PART NAME, DESCRIPTION	#	REF No.	PART No.	PART NAME, DESCRIPTION	
R938		QRE141J-101Y	RESISTOR	100Ω,1/4W	C936	NCB21HK-471X	CAPACITOR	470pF,50V
R939		QRE141J-101Y	RESISTOR	100Ω,1/4W	C937	NCB21HK-331X	CAPACITOR	330pF,50V
R940		NRSA02J-103X	MG RESISTOR	10kΩ,1/10W	C938	NCB21HK-331X	CAPACITOR	330pF,50V
R941		NRSA02J-332X	MG RESISTOR	3.3kΩ,1/10W	C939	NCB21HK-471X	CAPACITOR	470pF,50V
R942		NRSA02J-472X	MG RESISTOR	4.7kΩ,1/10W	C940	NCB21HK-471X	CAPACITOR	470pF,50V
R943		NRSA02J-0R0X	MG RESISTOR	0Ω,1/10W	C941	QETJ0JM-477	E CAPACITOR	470μF,6.3V
R944		NRSA02J-272X	MG RESISTOR	2.7kΩ,1/10W	C942	QEKJ1CM-476	E CAPACITOR	47μF,16V
R945		NRSA02J-102X	MG RESISTOR	1kΩ,1/10W	C943	QEKJ1CM-476	E CAPACITOR	47μF,16V
R946		NRSA02J-561X	MG RESISTOR	560Ω,1/10W	C945	QEKJ1CM-106	E CAPACITOR	10μF,16V
R947		NRSA02J-682X	MG RESISTOR	6.8kΩ,1/10W	C946	QEKJ1CM-106	E CAPACITOR	10μF,16V
R949		QRE123J-331X	RESISTOR	330Ω,1/2W	C947	QETJ0JM-477	E CAPACITOR	470μF,6.3V
R951		NRSA02J-332X	MG RESISTOR	3.3kΩ,1/10W	C951	QEKJ1CM-476	E CAPACITOR	47μF,16V
R952		NRSA02J-562X	MG RESISTOR	5.6kΩ,1/10W	L201	QQL29BK-1R0Z	COIL	1.0μH
R953		NRSA02J-562X	MG RESISTOR	5.6kΩ,1/10W	L202	QQL071J-330Y	COIL	33μH
R964		NRSA02J-101X	MG RESISTOR	100Ω,1/10W	L203	QQL071J-220Y	COIL	22μH
R965		NRSA02J-101X	MG RESISTOR	100Ω,1/10W	L204	QQL29BJ-100Z	COIL	10μH
B201		NRSA02J-0R0X	MG RESISTOR	0Ω,1/10W	L205	QUY153-050Y	IM BUS WIRE	
B216		NRSA02J-0R0X	MG RESISTOR	0Ω,1/10W	L206	QQL071J-220Y	COIL	22μH
B901		QUY153-050Y	IM BUS WIRE		L901	QQL231J-R22Y	COIL	0.22μH
C201		QEKJ0JM-227	E CAPACITOR	220μF,6.3V	L902	QQL071J-1R0Y	COIL	1.0μH
C204		NDC21HJ-100X	CAPACITOR	10pF,50V	L903	QQL071J-150Y	COIL	15μH
C206		NDC21HJ-330X	CAPACITOR	33pF,50V	L904	QQL071J-150Y	COIL	15μH
C207		NDC21HJ-330X	CAPACITOR	33pF,50V	L905	QUY153-050Y	IM BUS WIRE	
C209		NCB21CK-474X	CAPACITOR	0.47μF,16V	L906	QUY153-050Y	IM BUS WIRE	
C210		NDC21HJ-101X	CAPACITOR	100pF,50V	L907	QUY153-050Y	IM BUS WIRE	
C211		NDC21HJ-101X	CAPACITOR	100pF,50V	L910	QQL071J-1R0Y	COIL	1.0μH
C212		NCB21EK-104X	CAPACITOR	0.1μF,25V	L913	QQL071J-4R7Y	COIL	4.7μH
C213		QEKJ1EM-475	E CAPACITOR	4.7μF,25V	L914	QQL071J-4R7Y	COIL	4.7μH
C214		NCB21CK-224X	CAPACITOR	0.22μF,16V	L915	QQL071J-4R7Y	COIL	4.7μH
C215		NCB21CK-224X	CAPACITOR	0.22μF,16V	L916	QQL071J-4R7Y	COIL	4.7μH
C216		QEKJ0JM-227	E CAPACITOR	220μF,6.3V	L917	QQL071J-4R7Y	COIL	4.7μH
C217		NDC21HJ-560X	CAPACITOR	56pF,50V	L918	QQL071J-4R7Y	COIL	4.7μH
C218		NCB21AK-105X	CAPACITOR	1μF,10V	L919	QQL071J-4R7Y	COIL	4.7μH
C222		NCB21AK-105X	CAPACITOR	1μF,10V	L920	QQL071J-4R7Y	COIL	4.7μH
C225		NCB21EK-104X	CAPACITOR	0.1μF,25V	ET1	PQ21987-1-1	EARTH PLATE(TERMINAL)	
C901		NCB21HK-331X	CAPACITOR	330pF,50V	J901	PEMC1177	RGB21PIN SOCKET,AV1	
C902		NCB21HK-331X	CAPACITOR	330pF,50V	J902	PEMC1177	RGB21PIN SOCKET,AV2	
C903		NCB21HK-471X	CAPACITOR	470pF,50V	J903	QND0084-001	S JACK,S OUT	
C904		NCB21HK-471X	CAPACITOR	470pF,50V	J912	QNN0023-003	PIN JACK,A.OUT(L)	
C905		NCB21HK-331X	CAPACITOR	330pF,50V	J913	QNN0023-002	PIN JACK,A.OUT(R)	
C906		NCB21HK-331X	CAPACITOR	330pF,50V	J923	PEMC1190	MINI JACK, JLIP	
C907		NCB21HK-471X	CAPACITOR	470pF,50V	J924	QNS0150-001	2.5 JACK,LANC	
C908		NCB21HK-471X	CAPACITOR	470pF,50V	J925	PU60659	MINI JACK,SAT.CTL	
C910		NCB21HK-102X	CAPACITOR	0.001μF,50V	J926	PU60659	MINI JACK,PAUSE/RAE	
C912		NCB21HK-102X	CAPACITOR	0.001μF,50V	△ TB1	LP30712-008B	TERMINAL BOARD ASSY	
C913		NCB21HK-103X	CAPACITOR	0.01μF,50V	OT1	QYTD5F3008Z	SCREW,X8	
C914		NCB21HK-103X	CAPACITOR	0.01μF,50V	CN911	QGF1208F1-14	FPC CONNECTOR,(1-14)S-SUB	
C915		NCB21HK-103X	CAPACITOR	0.01μF,50V	CN912	QGF1208F1-08	FPC CONNECTOR,(1-8)NAVIGATION	
C916		NCB21HK-223X	CAPACITOR	0.022μF,50V	CN913	QGB2024J1-12S	CONNECTOR,(1-12)MAIN	
C917		NCB21HK-223X	CAPACITOR	0.022μF,50V	CN914	QGB2024J1-12S	CONNECTOR,(1-12)MAIN	
C918		NCB21HK-223X	CAPACITOR	0.022μF,50V	CN915	QGB2024J1-05S	CONNECTOR,(1-5)MAIN	
C921		NDC21HJ-330X	CAPACITOR	33pF,50V	CN917	QGB2024J1-10S	CONNECTOR,(1-10)MAIN	
C923		QEKJ1CM-476	E CAPACITOR	47μF,16V	*****			
C924		NCB21HK-103X	CAPACITOR	0.01μF,50V	A/C HEAD BOARD ASSEMBLY <12>			
C925		NCB21HK-223X	CAPACITOR	0.022μF,50V	PW1	LPA10010-01A1	A/C HEAD BOARD ASSY	
C927		QEKJ1CM-476	E CAPACITOR	47μF,16V	CN1	QGF1208F1-07	FPC CONNECTOR,(1-7)MAIN	
C930		NCB21HK-103X	CAPACITOR	0.01μF,50V				
C931		QEKJ1CM-476	E CAPACITOR	47μF,16V				
C933		NCB21HK-331X	CAPACITOR	330pF,50V				
C934		NCB21HK-331X	CAPACITOR	330pF,50V				
C935		NCB21HK-471X	CAPACITOR	470pF,50V				

Δ REF No. PART No. PART NAME, DESCRIPTION

DEMOD BOARD ASSEMBLY <14>

PW1	LPA10094-04A	DEMOD BOARD ASSY	
IC6701	MSP3417D	IC	
	or MSP3417DG3	IC	
	or MSP3417G	IC	
Q6701	2SC3936/BC/-X	TRANSISTOR	
D6701	1SS133	DIODE	
	or 1N4148M	DIODE	
R6701	NRSA02J-392X	MG RESISTOR	3.9k Ω ,1/10W
R6702	NRSA02J-682X	MG RESISTOR	6.8k Ω ,1/10W
R6703	NRSA02J-470X	MG RESISTOR	47 Ω ,1/10W
R6704	NRSA02J-102X	MG RESISTOR	1k Ω ,1/10W
R6705	NRSA02J-271X	MG RESISTOR	270 Ω ,1/10W
R6706	NRSA02J-101X	MG RESISTOR	100 Ω ,1/10W
R6707	NQR0200-003X	FERRITE BEAD	
R6708	NQR0200-003X	FERRITE BEAD	
R6709	NQR0200-003X	FERRITE BEAD	
R6710	NQR0200-003X	FERRITE BEAD	
R6711	NRSA02J-684X	MG RESISTOR	680k Ω ,1/10W
R6712	NRSA02J-102X	MG RESISTOR	1k Ω ,1/10W
R6714	NRSA02J-102X	MG RESISTOR	1k Ω ,1/10W
R6716	NQR0200-003X	FERRITE BEAD	
R6719	QRE141J-103Y	RESISTOR	10k Ω ,1/4W
R6720	NRSA02J-562X	MG RESISTOR	5.6k Ω ,1/10W
R6721	NRSA02J-562X	MG RESISTOR	5.6k Ω ,1/10W
C6701	NCB21HK-103X	CAPACITOR	0.01 μ F,50V
C6704	NCB21HK-103X	CAPACITOR	0.01 μ F,50V
C6705	NCB21HK-102X	CAPACITOR	0.001 μ F,50V
C6707	NDC21HJ-470X	CAPACITOR	47pF,50V
C6708	NDC21HJ-7R0X	CAPACITOR	7pF,50V
C6709	NDC21HJ-3R0X	CAPACITOR	3pF,50V
C6713	NCF21CZ-224X	CAPACITOR	0.22 μ F,16V
C6714	NCB21HK-222X	CAPACITOR	0.0022 μ F,50V
C6715	QEKJ1HM-225	E CAPACITOR	2.2 μ F,50V
C6716	NCB21HK-222X	CAPACITOR	0.0022 μ F,50V
C6717	QEKJ1HM-225	E CAPACITOR	2.2 μ F,50V
C6719	QEKJ1EM-106	E CAPACITOR	10 μ F,25V
C6720	QEKJ1EM-106	E CAPACITOR	10 μ F,25V
C6721	NCB21HK-103X	CAPACITOR	0.01 μ F,50V
C6723	NCB21HK-103X	CAPACITOR	0.01 μ F,50V
L6701	QUY153-050Y	IM BUS WIRE	
L6702	QQL231J-3R3Y	COIL	3.3 μ H
X6701	QAX0443-001	CRYSTAL RESONATOR	
K6701	NRSA02J-330X	MG RESISTOR	33 Ω ,1/10W
K6702	NQR0200-003X	FERRITE BEAD	
K6703	NRSA02J-102X	MG RESISTOR	1k Ω ,1/10W
K6704	NRSA02J-102X	MG RESISTOR	1k Ω ,1/10W
K6705	NRSA02J-100X	MG RESISTOR	10 Ω ,1/10W
K6706	NRSA02J-470X	MG RESISTOR	47 Ω ,1/10W
BK1	LP40425-001A	BRACKET(BOARD)	
CN6701	QGG2502K1-10	HEADER PIN,(1-10)MAIN	

Δ REF No. PART No. PART NAME, DESCRIPTION

S-SUB BOARD ASSEMBLY <15>

PW1	LPA10103-07A	S-SUB BOARD ASSY	
IC501	JCP8018	IC	
	or JCP8028	IC	
	or JCP8038	IC	
	or JCP8028-01	IC	
IC502	VC2076DP	IC	
R503	NRSA02J-221X	MG RESISTOR	220 Ω ,1/10W
R504	NRSA02J-332X	MG RESISTOR	3.3k Ω ,1/10W
R505	NRSA02J-392X	MG RESISTOR	3.9k Ω ,1/10W
R506	NRSA02J-391X	MG RESISTOR	390 Ω ,1/10W
R507	NRSA02J-122X	MG RESISTOR	1.2k Ω ,1/10W
R508	NRSA02J-151X	MG RESISTOR	150 Ω ,1/10W
R509	NRSA02J-162X	MG RESISTOR	1.6k Ω ,1/10W
R510	NRVA02D-102X	CMF RESISTOR	1k Ω ,1/10W
R511	NRVA02D-471X	CMF RESISTOR	470 Ω ,1/10W
R512	NRVA02D-102X	CMF RESISTOR	1k Ω ,1/10W
R513	NRVA02D-152X	CMF RESISTOR	1.5k Ω ,1/10W
R514	NRVA02D-332X	CMF RESISTOR	3.3k Ω ,1/10W
R515	NRVA02D-332X	CMF RESISTOR	3.3k Ω ,1/10W
R516	NRSA02J-0R0X	MG RESISTOR	0 Ω ,1/10W
R517	NRSA02J-0R0X	MG RESISTOR	0 Ω ,1/10W
R525	NRSA02J-125X	MG RESISTOR	1.2M Ω ,1/10W
R526	NRSA02J-0R0X	MG RESISTOR	0 Ω ,1/10W
R527	NRSA02J-332X	MG RESISTOR	3.3k Ω ,1/10W
R531	NRSA02J-101X	MG RESISTOR	100 Ω ,1/10W
R532	NRSA02J-101X	MG RESISTOR	100 Ω ,1/10W
R533	NRSA02J-101X	MG RESISTOR	100 Ω ,1/10W
R534	NRSA02J-101X	MG RESISTOR	100 Ω ,1/10W
R535	NRSA02J-101X	MG RESISTOR	100 Ω ,1/10W
R536	NRSA02J-101X	MG RESISTOR	100 Ω ,1/10W
B501	NRSA02J-0R0X	MG RESISTOR	0 Ω ,1/10W
C501	QEKJ1HM-225	E CAPACITOR	2.2 μ F,50V
C502	QEKJ1EM-475	E CAPACITOR	4.7 μ F,25V
C503	QEKJ1HM-225	E CAPACITOR	2.2 μ F,50V
C504	NCB21EK-104X	CAPACITOR	0.1 μ F,25V
C505	QEKJ1EM-475	E CAPACITOR	4.7 μ F,25V
C506	NCB21HK-103X	CAPACITOR	0.01 μ F,50V
C507	QEKJ0JM-476	E CAPACITOR	47 μ F,6.3V
C508	QEKJ1HM-474	E CAPACITOR	0.47 μ F,50V
C509	QEKJ1CM-106	E CAPACITOR	10 μ F,16V
C510	QEKJ0JM-476	E CAPACITOR	47 μ F,6.3V
C511	NCB21HK-103X	CAPACITOR	0.01 μ F,50V
C512	NCB21HK-103X	CAPACITOR	0.01 μ F,50V
C513	QEKJ1EM-475	E CAPACITOR	4.7 μ F,25V
C514	NCB21HK-103X	CAPACITOR	0.01 μ F,50V
C515	NCB21HK-103X	CAPACITOR	0.01 μ F,50V
C516	NCB21HK-103X	CAPACITOR	0.01 μ F,50V
C518	NCB21EK-104X	CAPACITOR	0.1 μ F,25V
C519	QEKJ1HM-225	E CAPACITOR	2.2 μ F,50V
C520	QERF1EM-475	E CAPACITOR	4.7 μ F,25V
C521	QEKJ1EM-475	E CAPACITOR	4.7 μ F,25V
C522	QEKJ1HM-225	E CAPACITOR	2.2 μ F,50V
C523	QEKJ1HM-225	E CAPACITOR	2.2 μ F,50V
C524	NDC21HG-301X	CAPACITOR	300pF,50V
C525	NDC21HG-301X	CAPACITOR	300pF,50V
C526	NDC21HJ-101X	CAPACITOR	100pF,50V
C527	NDC21HJ-181X	CAPACITOR	180pF,50V

#	REF No.	PART No.	PART NAME, DESCRIPTION	#	REF No.	PART No.	PART NAME, DESCRIPTION	
C528		NDC21HG-271X	CAPACITOR	270pF,50V	R3340	NRSA02J-102X	MG RESISTOR	1kΩ,1/10W
C529		NDC21HG-820X	CAPACITOR	82pF,50V	R3342	NRSA02J-0R0X	MG RESISTOR	0Ω,1/10W
C530		NDC21HG-221X	CAPACITOR	220pF,50V	R3343	NRSA02J-0R0X	MG RESISTOR	0Ω,1/10W
C531		NDC21HG-301X	CAPACITOR	300pF,50V	R3345	NRSA02J-0R0X	MG RESISTOR	0Ω,1/10W
C532		NDC21HG-301X	CAPACITOR	300pF,50V	R3346	NRSA02J-0R0X	MG RESISTOR	0Ω,1/10W
C533		NCB21HK-103X	CAPACITOR	0.01μF,50V	R3347	NRSA02J-0R0X	MG RESISTOR	0Ω,1/10W
C534		QEKJ0JM-476	E CAPACITOR	47μF,6.3V	R3348	NRSA02J-0R0X	MG RESISTOR	0Ω,1/10W
C535		NCB21HK-103X	CAPACITOR	0.01μF,50V	R3349	NRSA02J-0R0X	MG RESISTOR	0Ω,1/10W
C551		QEKJ1HM-105	E CAPACITOR	1μF,50V	R3350	NRSA02J-0R0X	MG RESISTOR	0Ω,1/10W
C553		NCB21HK-103X	CAPACITOR	0.01μF,50V	R3351	NRSA02J-0R0X	MG RESISTOR	0Ω,1/10W
C554		QEKJ1HM-105	E CAPACITOR	1μF,50V	R3352	NRSA02J-0R0X	MG RESISTOR	0Ω,1/10W
C556		NCB21HK-103X	CAPACITOR	0.01μF,50V	R3371	NRSA02J-0R0X	MG RESISTOR	0Ω,1/10W
C557		QEKJ1HM-105	E CAPACITOR	1μF,50V	R3372	NRSA02J-0R0X	MG RESISTOR	0Ω,1/10W
C559		NCB21HK-103X	CAPACITOR	0.01μF,50V	R3373	NRSA02J-0R0X	MG RESISTOR	0Ω,1/10W
C560		QEKJ1HM-105	E CAPACITOR	1μF,50V	R3386	NRSA02J-103X	MG RESISTOR	10kΩ,1/10W
C561		QEKJ1HM-105	E CAPACITOR	1μF,50V	R3401	NRSA02J-0R0X	MG RESISTOR	0Ω,1/10W
C568		NDC21HJ-680X	CAPACITOR	68pF,50V	R3402	NRSA02J-0R0X	MG RESISTOR	0Ω,1/10W
C569		NDC21HJ-680X	CAPACITOR	68pF,50V	R3403	NRSA02J-0R0X	MG RESISTOR	0Ω,1/10W
C570		NDC21HJ-680X	CAPACITOR	68pF,50V	R3404	NRSA02J-0R0X	MG RESISTOR	0Ω,1/10W
C571		NDC21HJ-680X	CAPACITOR	68pF,50V	R3412	NRSA02J-0R0X	MG RESISTOR	0Ω,1/10W
C572		NDC21HJ-680X	CAPACITOR	68pF,50V	R3414	NRSA02J-0R0X	MG RESISTOR	0Ω,1/10W
C573		NDC21HJ-680X	CAPACITOR	68pF,50V	R3415	NRSA02J-0R0X	MG RESISTOR	0Ω,1/10W
L501		QQL29BJ-100Z	COIL	10μH	R3422	NRSA02J-0R0X	MG RESISTOR	0Ω,1/10W
L503		QQL29BJ-100Z	COIL	10μH	R3432	NRSA02J-0R0X	MG RESISTOR	0Ω,1/10W
L504		QQL29BJ-100Z	COIL	10μH	R3462	NRSA02J-103X	MG RESISTOR	10kΩ,1/10W
BK1		LP40077-001A	BRACKET(BOARD)		R3465	NRSA02J-472X	MG RESISTOR	4.7kΩ,1/10W
CN511		QGG2503K2-30	HEADER PIN,(1-30)MAIN		R3466	NRSA02J-0R0X	MG RESISTOR	0Ω,1/10W
CN512		QGF1209F2-14	FFC/FPC CONNECTOR,(1-14)TERMINAL		R3468	NRSA02J-103X	MG RESISTOR	10kΩ,1/10W
					R3472	NRSA02J-472X	MG RESISTOR	4.7kΩ,1/10W
					R3475	NRSA02J-103X	MG RESISTOR	10kΩ,1/10W
					B3301	NRSA02J-0R0X	MG RESISTOR	0Ω,1/10W
					B3405	NRSA02J-0R0X	MG RESISTOR	0Ω,1/10W
					B3406	NRSA02J-0R0X	MG RESISTOR	0Ω,1/10W
					B3407	NRSA02J-0R0X	MG RESISTOR	0Ω,1/10W
					B3408	NRSA02J-0R0X	MG RESISTOR	0Ω,1/10W
					B3409	NRSA02J-0R0X	MG RESISTOR	0Ω,1/10W
					B3410	NRSA02J-0R0X	MG RESISTOR	0Ω,1/10W
					C3312	NDC21HJ-120X	CAPACITOR	12pF,50V
					C3313	NDC21HJ-120X	CAPACITOR	12pF,50V
					C3314	NCB21EK-104X	CAPACITOR	0.1μF,25V
					C3321	NDC21HJ-220X	CAPACITOR	22pF,50V
					C3322	NDC21HJ-220X	CAPACITOR	22pF,50V
					C3323	NDC21HJ-220X	CAPACITOR	22pF,50V
					C3333	NCB21EK-104X	CAPACITOR	0.1μF,25V
					C3345	NDC21HJ-220X	CAPACITOR	22pF,50V
					C3346	NDC21HJ-220X	CAPACITOR	22pF,50V
					C3347	NDC21HJ-220X	CAPACITOR	22pF,50V
					C3401	QEKJ0JM-226	E CAPACITOR	22μF,6.3V
					C3402	NCB21EK-104X	CAPACITOR	0.1μF,25V
					C3403	NCB21EK-104X	CAPACITOR	0.1μF,25V
					C3404	NCB21EK-104X	CAPACITOR	0.1μF,25V
					C3405	NCB21EK-104X	CAPACITOR	0.1μF,25V
					C3414	NCB21EK-104X	CAPACITOR	0.1μF,25V
					X3301	QAX0584-001	CRYSTAL RESONATOR	
					BK1	LP40425-001A	BRACKET(PWB)	
					CN3401	QGG2502K1-13	HEADER PIN,(1-13)MAIN	
					CN3402	QGF1207F1-08	FPC CONNECTOR,(1-8)TERMINAL	

NAVIGATION BOARD ASSEMBLY <19>

PW1	LPA10145-05A	NAVIGATION BOARD ASSY	
IC3301	MN101C49GCH	IC	
	or MN101CP12GAFCH	IC	
	or MN101CP49KAFCH	IC	
IC3401	74HC4053D	IC	
IC3402	74HC4053D	IC	
IC3403	AT45D011-SC-X	IC	
IC3405	TC7W241FU	IC(DIGITAL)	
IC3406	TC7W241FU	IC(DIGITAL)	
D3401	RB751V-40-X	SB DIODE	
D3402	RB751V-40-X	SB DIODE	
D3407	1SS355	DIODE	
R3302	NRSA02J-0R0X	MG RESISTOR	0Ω,1/10W
R3313	NRSA02J-0R0X	MG RESISTOR	0Ω,1/10W
R3321	NRSA02J-0R0X	MG RESISTOR	0Ω,1/10W
R3322	NRSA02J-0R0X	MG RESISTOR	0Ω,1/10W
R3323	NRSA02J-0R0X	MG RESISTOR	0Ω,1/10W
R3326	NRSA02J-102X	MG RESISTOR	1kΩ,1/10W
R3328	NRSA02J-0R0X	MG RESISTOR	0Ω,1/10W
R3329	NRSA02J-0R0X	MG RESISTOR	0Ω,1/10W
R3330	NRSA02J-0R0X	MG RESISTOR	0Ω,1/10W
R3331	NRSA02J-223X	MG RESISTOR	22kΩ,1/10W
R3332	NRSA02J-223X	MG RESISTOR	22kΩ,1/10W
R3333	NRSA02J-102X	MG RESISTOR	1kΩ,1/10W
R3339	NRSA02J-102X	MG RESISTOR	1kΩ,1/10W

Δ REF No. PART No. PART NAME, DESCRIPTION

SW/DISPLAY BOARD ASSEMBLY <28>

PW1	LPA10148-01B1	SW/DISPLAY BOARD ASSY	
IC7001	M35500BFP	IC	
	or M35500AGP	IC	
	or M35500BGP	IC	
IC7002	GP1U281X	IR DETECT UNIT	
	or PNA4652M00XB	IR DETECT UNIT	
D7002	RD9.1ES/B2/-T2	ZENER DIODE	
	or MTZJ9.1B	ZENER DIODE	
D7004	1SS133	DIODE	
	or 1SS270A	DIODE	
D7005	1SS133	DIODE	
	or 1SS270A	DIODE	
D7008	QUY153-050Y	IM BUS WIRE	
D7009	SLR-342MC3F	LE DIODE,SVHS ET	
D7010	SLR-342VC3F	LE DIODE,SAT.TIMER	
R7001	QRE141J-471Y	RESISTOR	470 Ω ,1/4W
R7002	QRE141J-471Y	RESISTOR	470 Ω ,1/4W
R7003	QRE141J-471Y	RESISTOR	470 Ω ,1/4W
R7004	QRE141J-471Y	RESISTOR	470 Ω ,1/4W
R7005	QRE141J-103Y	RESISTOR	10k Ω ,1/4W
R7006	QRE141J-103Y	RESISTOR	10k Ω ,1/4W
R7007	QRE141J-103Y	RESISTOR	10k Ω ,1/4W
R7008	QRE141J-103Y	RESISTOR	10k Ω ,1/4W
R7013	QRE141J-103Y	RESISTOR	10k Ω ,1/4W
R7014	QUY153-050Y	IM BUS WIRE	
R7015	QUY153-050Y	IM BUS WIRE	
R7020	QRE141J-103Y	RESISTOR	10k Ω ,1/4W
R7021	QRE141J-122Y	RESISTOR	1.2k Ω ,1/4W
R7022	QRE141J-182Y	RESISTOR	1.8k Ω ,1/4W
R7023	QRE141J-222Y	RESISTOR	2.2k Ω ,1/4W
R7024	QRE141J-272Y	RESISTOR	2.7k Ω ,1/4W
R7025	QRE141J-472Y	RESISTOR	4.7k Ω ,1/4W
R7026	QRE141J-682Y	RESISTOR	6.8k Ω ,1/4W
R7027	QRE141J-153Y	RESISTOR	15k Ω ,1/4W
R7028	QRE141J-393Y	RESISTOR	39k Ω ,1/4W
R7030	QRE141J-103Y	RESISTOR	10k Ω ,1/4W
R7031	QRE141J-122Y	RESISTOR	1.2k Ω ,1/4W
R7032	QRE141J-182Y	RESISTOR	1.8k Ω ,1/4W
R7033	QRE141J-222Y	RESISTOR	2.2k Ω ,1/4W
R7034	QRE141J-272Y	RESISTOR	2.7k Ω ,1/4W
R7035	QRE141J-472Y	RESISTOR	4.7k Ω ,1/4W
R7036	QRE141J-682Y	RESISTOR	6.8k Ω ,1/4W
R7037	QRE141J-563Y	RESISTOR	56k Ω ,1/4W
R7040	QRE141J-331Y	RESISTOR	330 Ω ,1/4W
R7041	QRE141J-331Y	RESISTOR	330 Ω ,1/4W
B7001	QUY153-050Y	IM BUS WIRE	
B7003	QUY160-100Y	IM BUS WIRE	
C7001	QCFB1HZ-104	CAPACITOR	0.1 μ F,50V
C7007	QETN1HM-476	E CAPACITOR	47 μ F,50V
C7009	QCSB1HJ-150	CAPACITOR	15pF,50V
C7010	QCFB1HZ-104	CAPACITOR	0.1 μ F,50V
C7011	QETN1AM-227	E CAPACITOR	220 μ F,10V
C7019	QDVB1EZ-223Y	CAPACITOR	0.022 μ F,25V
C7023	QEKC1HM-106	E CAPACITOR	10 μ F,50V
L7001	QQL29BK-1R0Z	COIL	1.0 μ H
S7001	QSW0456-002Z	TACT SWITCH,POWER	
S7002	QSW0456-002Z	TACT SWITCH,MARK	

Δ REF No. PART No. PART NAME, DESCRIPTION

S7003	QSW0456-002Z	TACT SWITCH,ERASE
S7004	QSW0456-002Z	TACT SWITCH,REC
S7005	QSW0456-002Z	TACT SWITCH,PAUSE
S7006	QSW0456-002Z	TACT SWITCH,PLAY
S7007	QSW0456-002Z	TACT SWITCH,24H TIMER
S7008	QSW0456-002Z	TACT SWITCH,A.DUB
S7009	QSW0456-002Z	TACT SWITCH,INSERT
S7010	QSW0456-002Z	TACT SWITCH,STOP/EJECT
S7011	QSW0456-002Z	TACT SWITCH,TIMER
S7012	QSW0456-002Z	TACT SWITCH,SVHS ET
S7013	QSW0456-002Z	TACT SWITCH,SAT.TIMER
S7014	QSW0456-002Z	TACT SWITCH,C.RESET
S7015	QSW0456-002Z	TACT SWITCH,SYNC.EDIT
DI7001	QLF0032-002	FL TUBE
HD1	LP30428-001A	FDP HOLDER(L),DI7001
HD2	LP30429-001A	FDP HOLDER(R),DI7001
HD3	PQM30038-2-2	LED HOLDER,D7009
HD4	PQM30038-2-2	LED HOLDER,D7010
CN7001	QGF1201C2-14	FPC CONNECTOR,(1-14)MAIN

REC SAFETY BOARD ASSEMBLY <32>

PW3	LPA10148-01A3	REC SAFETY BOARD ASSY
S7041	QSW0602-004	PUSH SWITCH,REC SAFETY
FW7001	QUM022-07A4A4	P.R. WIRE,SW/DISPLAY

JACK BOARD ASSEMBLY <36>

PW2	LPA10148-01A2	JACK BOARD ASSY	
R7192	QUY153-050Y	IM BUS WIRE	
C7192	QCB1HK-681	CAPACITOR	680pF,50V
C7194	QCB1HK-681	CAPACITOR	680pF,50V
L7191	QRE141J-101Y	RESISTOR	100 Ω ,1/4W
L7192	QRE141J-101Y	RESISTOR	100 Ω ,1/4W
L7193	QUY153-050Y	IM BUS WIRE	
L7194	QUY153-050Y	IM BUS WIRE	
J7191	QNN0371-004	PIN JACK,FRONT V IN	
J7192	QNN0371-003	PIN JACK,FRONT L IN	
J7193	QNN0372-002	PIN JACK,FRONT R IN	
J7194	QND0085-001	S JACK,FRONT S IN	
CN7191	QGF1201C1-11	FPC CONNECTOR,(1-11)MAIN	

ADV.JOG BOARD ASSEMBLY <38>

PW4	LPA10148-01A4	ADV.JOG BOARD ASSY
UN7001	QSW0905-001	ROTARY ENCODER

#	REF No.	PART No.	PART NAME, DESCRIPTION
	CN7004	QGF1208F1-04	FPC CONNECTOR,(1-4)MAIN

AUDIO ERASE BOARD ASSEMBLY <46>

PW2	LPA10147-01A2	AUDIO ERASE BOARD ASSY	
Q2051	2SC4081/QRS/-X	TRANSISTOR	
	or 2PC4081/R/-X	TRANSISTOR	
	or 2SD1819A/QRS/-X	TRANSISTOR	
R2054	NRSA02J-153X	MG RESISTOR	15kΩ,1/10W
R2055	NRSA02J-3R3X	MG RESISTOR	3.3Ω,1/10W
C2052	QFLC1HJ-333Z	F CAPACITOR	0.033μF,50V
C2053	NCB21HK-332X	CAPACITOR	0.0033μF,50V
C2054	NCB21HK-103X	CAPACITOR	0.01μF,50V
C2055	QEKJ1CM-106	E CAPACITOR	10μF,16V
T2051	PELN0860	OSC TRANSFORMER	
CN2052	QGB2024J1-04S	CONNECTOR,(1-4)MAIN	

LOADING MOTOR BOARD ASSEMBLY <55>

PW2	LPA10010-01A2	L.MOTOR BOARD ASSY	
CN1	QGB2533K1-02	CONNECTOR	

#	REF No.	PART No.	PART NAME, DESCRIPTION
---	---------	----------	------------------------

